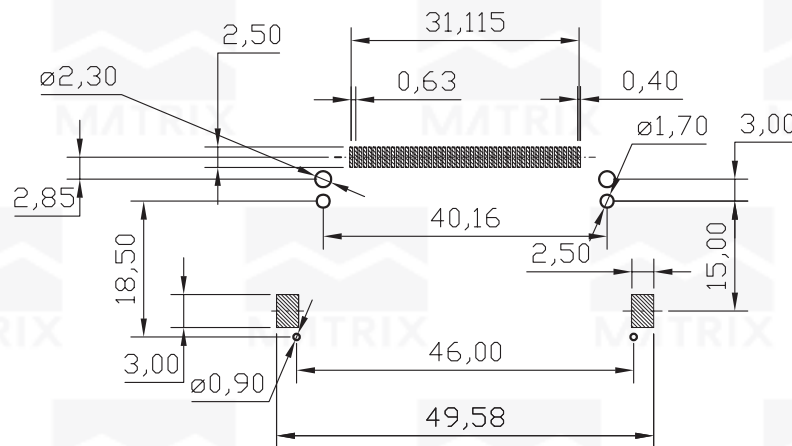
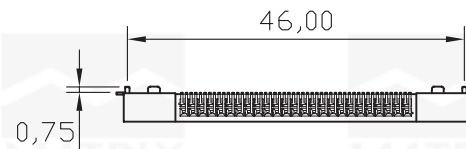
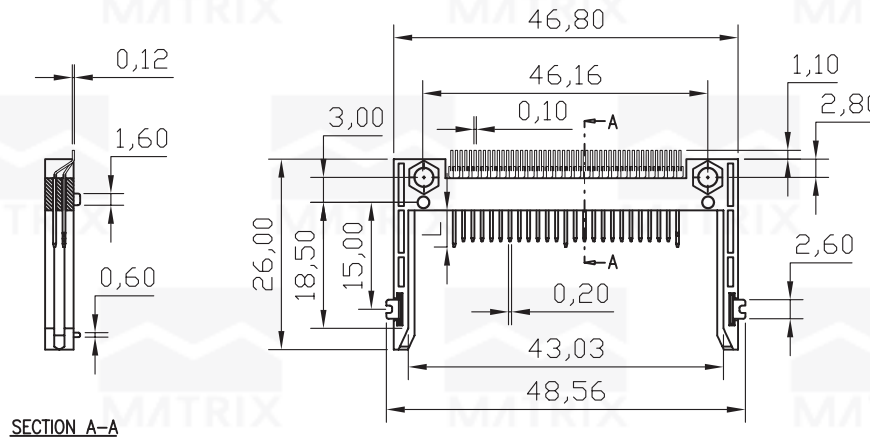
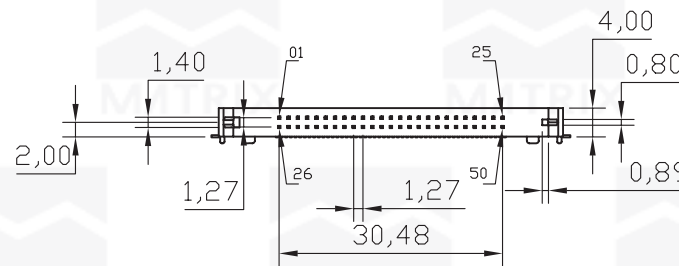


REV	ECN. NO.	APP	DATE
A	EDIÇÃO INICIAL		



RECOMMENDED P.C.B. LAYOUT

NOTES
MATERIAL

Insulator: Glass Reinforced LCP UL94V-0
Contacts: Brass

Mount ear: Brass; Tin/Lead plated overall
CONTACT PLATING

Contact area: Gold flash plating over 40u" Nickel
Solder tail area: 100u" Tin/Lead plating over 40u" Nickel

TABLE		
Pin Type	Interface Dim.	Pin No.
Detect	3.5mm (0.138in.)	25,26
General	4.25mm (0.167in.)	The others
Power	5.0mm (0.197in.)	01,13,38,50

HOW TO ORDER: MX-CF-7753-W-50[B]-SMD-[]

1 2

- 1- Contact Type
(M)- Type 1
(A)- Type 2
(B)- Slim Type
- 2- (R) RoHS Compliant



MATRIX TECNOLOGIA IND. E COM. LTDA.

UNIT mm	SCALE	TITLE	DATE OCTOBER 2007
TOLERANCE: ±0.25		CFA Socket Slim 50 Ways	APP. BY
		MATL	CHK. BY
		DWG. NO.	DR. BY DIEGO