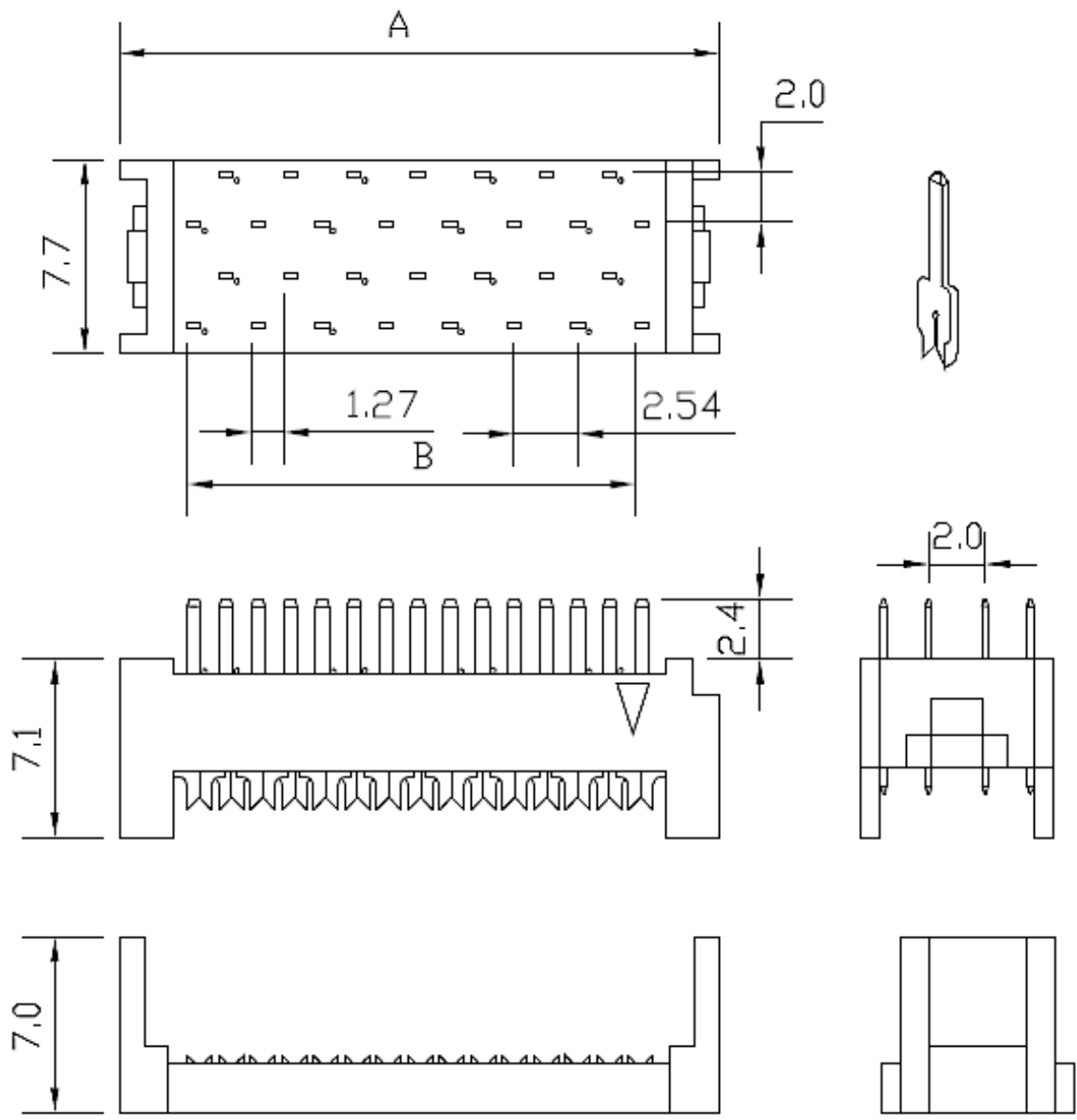



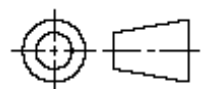
REV	ECN. NO.	APP	DATE
A	EDIÇÃO INICIAL		



Position	DIMENSION	
	A	B
30	23.83	17.78
50	36.53	30.48
68	47.96	41.91
80	55.58	49.53

HOW TO ORDER:
4403[][]1,27HDR
1 2

- 1- N° of Ways
See Table
- 2- Terminal Plating:
 (E)-Sn
 (D)-FLASH Au
 (F)-0,38um Au
 (G)-0,76um Au
 (C)-0,38um Au/Sn
 (H)-0,76um Au/Sn

 MATRIX TECNOLOGIA IND. E COM. LTDA.		UNIT	SCALE	TITLE	DATE
		mm		1.27mm DIP PLUG CONNECTOR HIGH DENSITY	SEPTEMBER 2007
TOLERANCE: ±0.25				APP. BY	
		MATL		CHK. BY	
		DWG. NO.		DR. BY DINO	