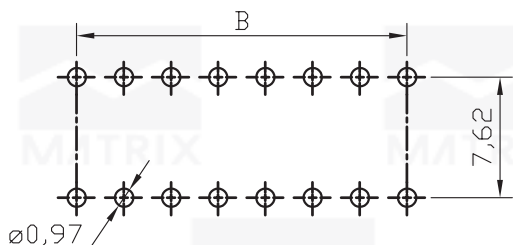
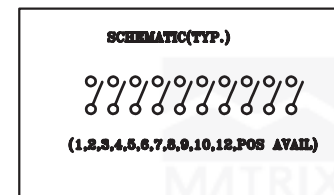
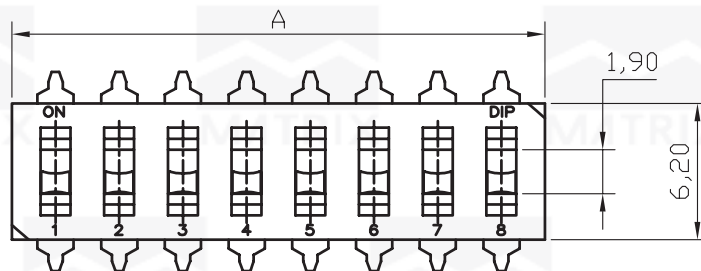
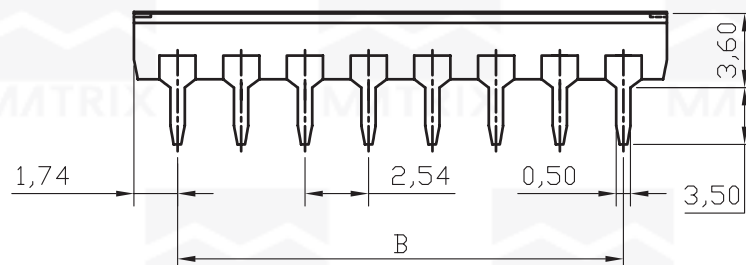
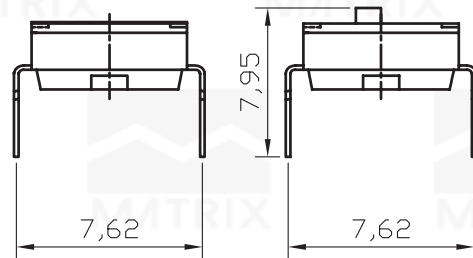
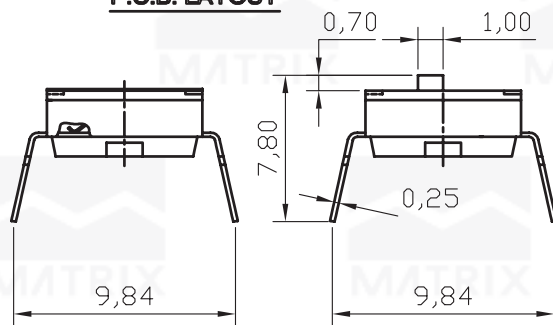


REV	ECN. NO.	APP	DATE
A	EDIÇÃO INICIAL		

NO. OF POS.	DIM. A	DIM. B
1	3.48[.137]	—
2	6.02[.237]	2.54[.100]
3	8.56[.337]	5.08[.200]
4	11.10[.437]	7.62[.300]
5	13.64[.537]	10.16[.400]
6	16.18[.637]	12.70[.500]
7	18.72[.737]	15.24[.600]
8	21.26[.837]	17.78[.700]
9	23.80[.937]	20.32[.800]
10	26.34[1.037]	22.86[.900]
12	31.42[1.237]	27.94[1.100]



P.C.B. LAYOUT



Splay Terminal and Short Key

Splay Terminal and Long Key

Straight Terminal and Short Key

Straight Terminal and Long Key

HOW TO ORDER:
MX-DS-IC-[]-[]-[]-[]-[]
1 2 3 4 5

- 1- Nr. of Positions
02 to 12
- 2- Solder Type
(A)- Splay Terminal
(B)- Straight Terminal
- 3- Key Option
(LK)- Long Key
(SK)- Short Key
- 4- Tape Sealed Option
(Y)- With Tape Sealed
(N)- W/O Tape Sealed
- 5- (R) RoHS Compliant



MATRIX TECNOLOGIA IND. E COM. LTDA.

UNIT	SCALE	TITLE	DATE
mm		IC Dip Switch	OCTOBER 2007
TOLERANCE: ±0.25			APP. BY
		MATL	CHK. BY
		DWG. NO.	DR. BY DIEGO