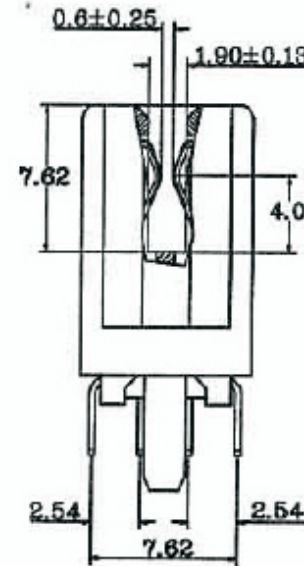
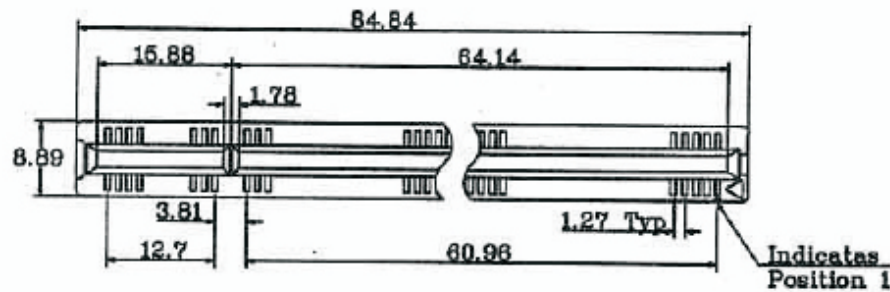
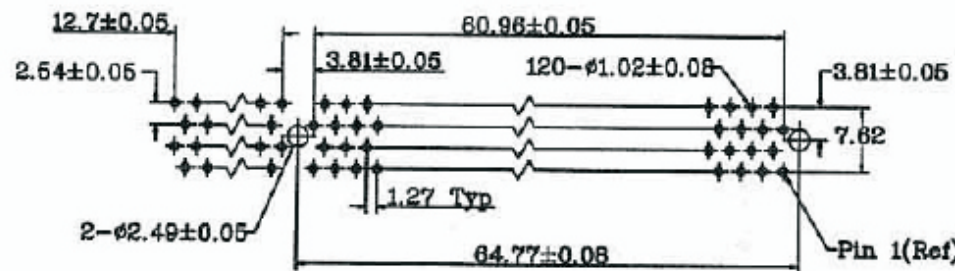
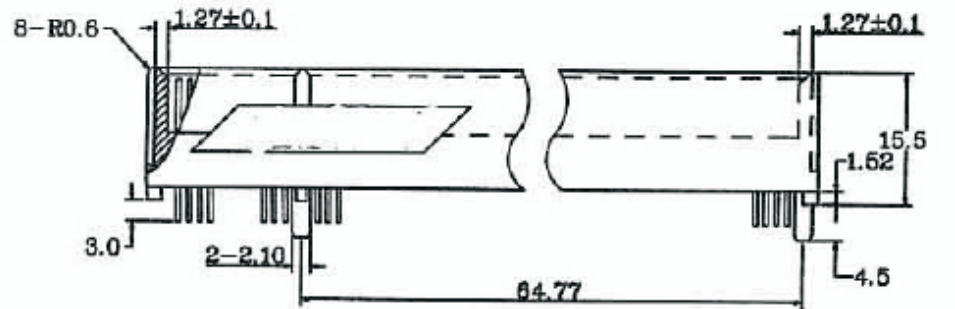


REV	ECN. NO.	APP	DATE
A	EDIÇÃO INICIAL		



Section



P.C. Board Layout

**HOW TO ORDER:  
MX-PCI-[ ]-[ ]-[ ]**

**1 2 3**

- 1- Nr. of Contacts (120)
- 2- Terminal Plating:  
(E)-Sn  
(D)-FLASH Au  
(F)-0,38um Au  
(G)-0,76um Au  
(C)-0,38um Au/Sn
- 3- (R) RoHS Compliant

		MATRIX TECNOLOGIA IND. E COM. LTDA.	
UNIT mm	SCALE	TITLE EDGE CONNECTOR PCI 120	DATE SEPTEMBER 2007
TOLERANCE: ±0.25			APP. BY
		MATL	CHK. BY
		DWG. NO.	DR. BY DINO