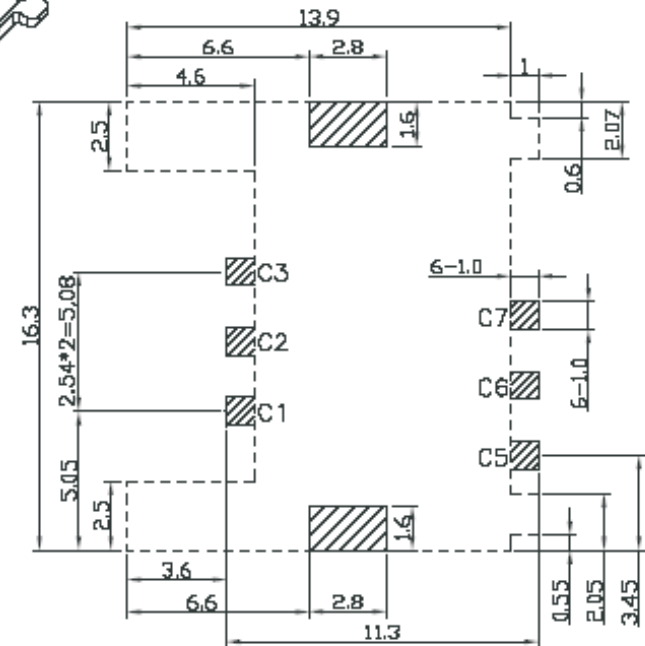
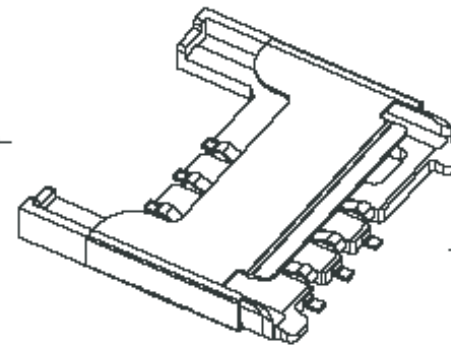
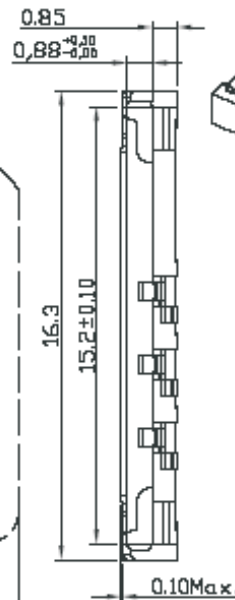
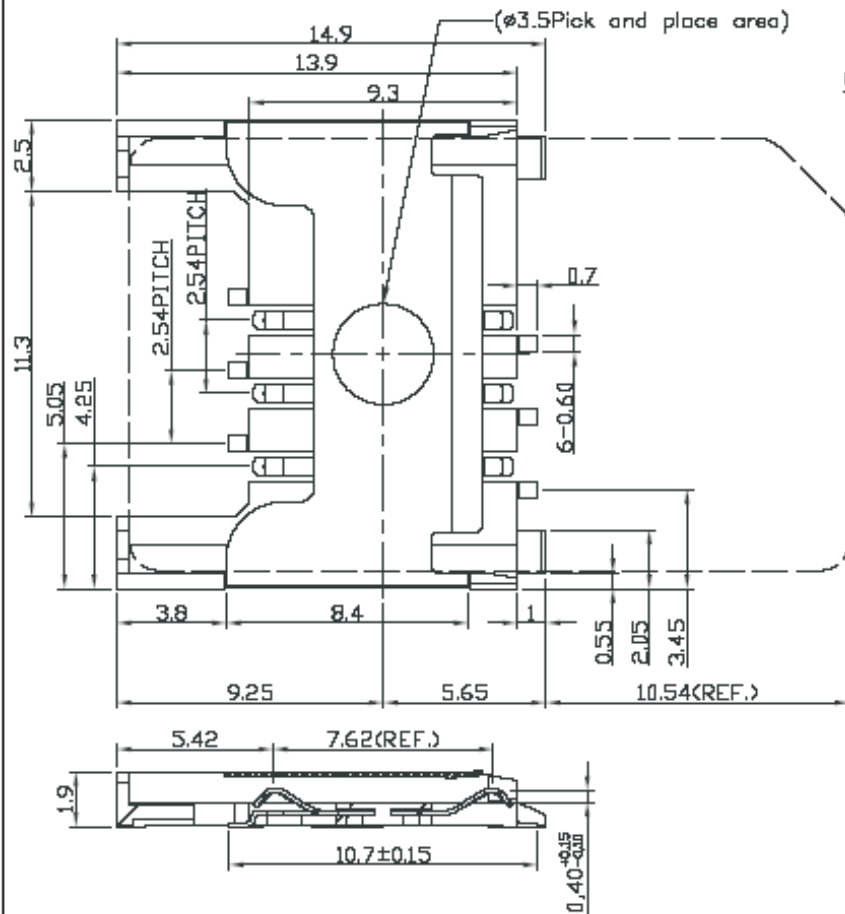


REV	ECN. NO.	APP	DATE
A	EDIÇÃO INICIAL		
B	NOVO CÓDIGO		



Unit: mm; Tolerances: ±0.05 mm
Reference dimension for PCB layout

HOW TO ORDER: ICC4256CDR

TECHNICAL CHARACTERISTICS

1. General Characteristics

Dimension: 14.90L x 16.30W x 1.90H mm

Weight: Approx. 0.40 g

Contact principle: Friction technology

Operating position: Shaft up / Down / Horizontal

Mounting System: SMT Type (without post)

Durability: 5,000 cycles min.

2. Mechanical Characteristics

Insulation material: Thermoplastic, UL 94V-0

RoHS Directive 2002/95/EC Compliant

3. Electrical Characteristics

Number of contacts: 6 pins

Contact resistance: 50 mΩ typical, 100 mΩ max

Insulation resistance: >1000 MΩ / 500 VDC

4. Solderability

Wave: Not applicable

IR reflow: 260°C, 10 sec. Max.

Manual soldering: 360°C, 3 sec. Max.

5. Environmental Characteristics

Operating temperature: -40°C ~ +85°C

Operating humidity: 10 % ~ 95 % RH

Storage temperature: -40°C ~ +85°C

Storage humidity: 10 % ~ 95 % RH



MATRIX TECNOLOGIA IND. E COM. LTDA.

UNIT	SCALE	TITLE	DATE
mm		ICC4256CDR	MARCH 2010
TOLERANCE: ±0.25			APP. BY
		MATL	CHK. BY
		DWG. NO.	DR. BY FELIPE