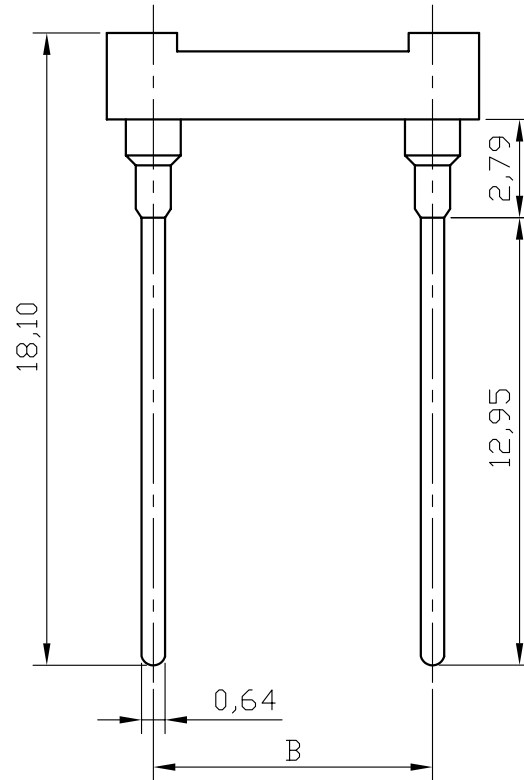
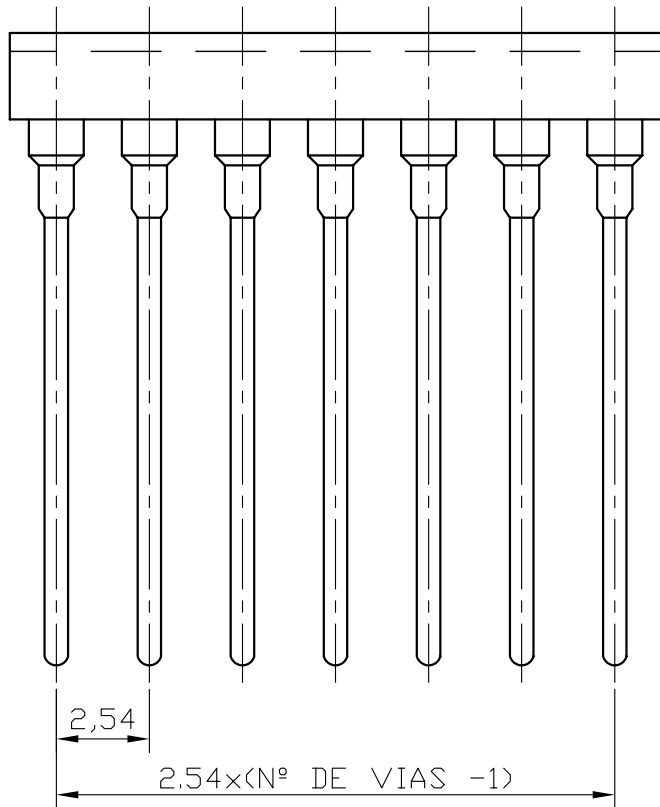


REV/	ECN. NO.	APP	DATE
A	EDIÇÃO INICIAL		
B	NOVO CÓDIGO		

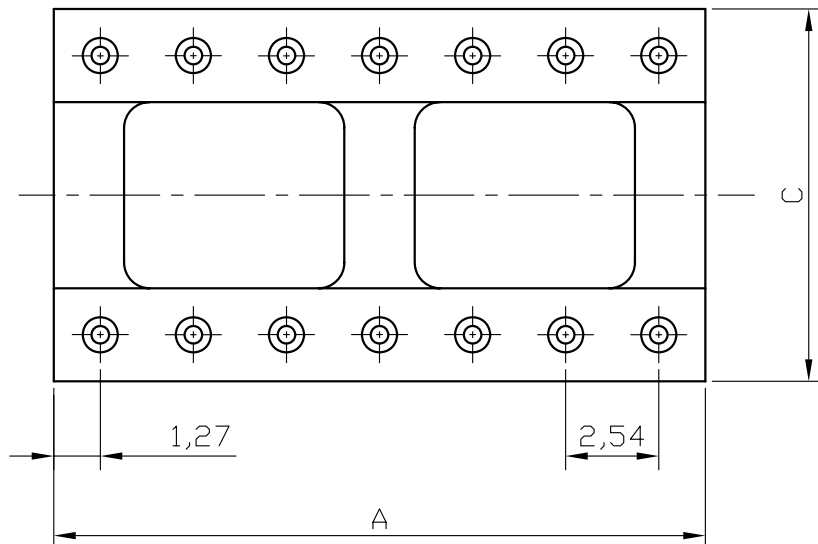


**SPECIFICATIONS:**

Insulator: Black Glass filled Polyester UL 94V-0  
 Current Rating: 1Amp  
 Contact Resistance: max. 10mΩ  
 Dielectric Strength: min. 1000 V<sub>RMS</sub>  
 Operating Temperature: -55°C to 125°C  
 Max. Working Voltage: 100 V<sub>RMS</sub> / 150 V<sub>DC</sub>  
 Insulator Resistance: 500V AC

**HOW TO ORDER:  
 SWW[ ][ ][ ]R  
 1 2 3 4**

- 1- Num. Ways: Table 1
- 2- Spring Plating: (E)-Sn (D)-FLASH Au (F)-0,38um Au (G)-0,76um Au
- 3- Terminal Plating: (E)-Sn (D)-FLASH Au (F)-0,38um Au (G)-0,76um Au
- 4- Insulator: (N)- HB (P)- V0



Nº de Vias	A	B	C
06	7.62	7.62	10.16
08	10.16	7.62	10.16
14	17.78	7.62	10.16
16	20.32	7.62	10.16
18	22.86	7.62	10.16
20	25.40	7.62	10.16
22	27.94	10.16	12.70
24	30.48	15.24	17.78
24I*	30.40	7.62	10.16
28	35.56	15.24	17.78
28I*	35.40	7.62	10.16
32	40.62	15.24	17.78
40	50.80	15.24	17.78

Tabela 1 \* Versão Estreita



**MATRIX Tecnologia Ind. e Com. Ltda.**

UNIT mm	SCALE 5:1	TITLE IC Socket	DATE DECEMBER 2009
TOLERANCE: ±0.25		Type Wire-Wrape	APP. BY
		MATL	CHK. BY
		DWG. NO.	DR. BY FELIPE