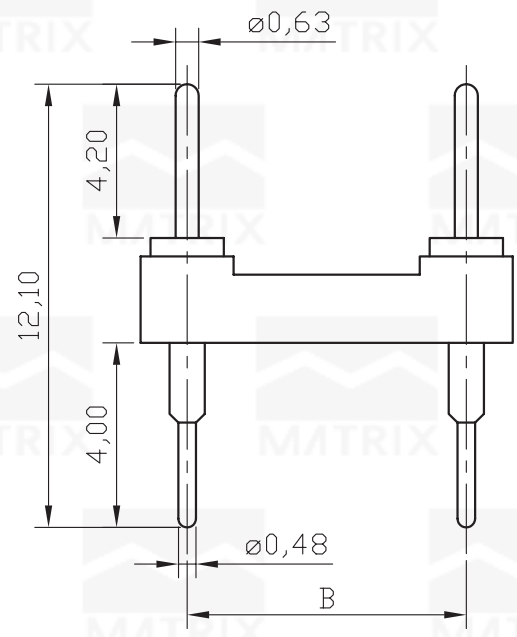
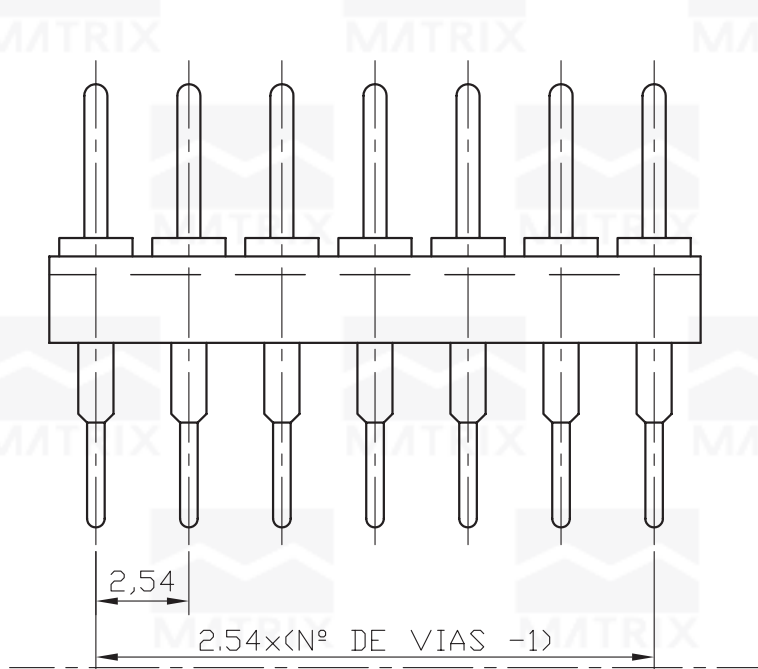
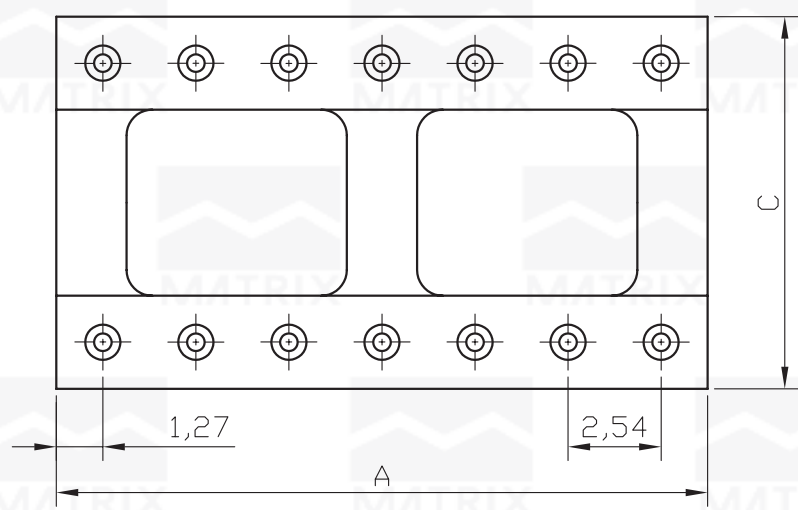


REV/	ECN. NO.	APP	DATE
A	EDIÇÃO INICIAL		



**SPECIFICATIONS:**

Insulator: Black Glass filled Polyester UL 94V-0  
 Current Rating: 1Amp  
 Contact Resistance: max. 10mΩ  
 Dielectric Strength: min. 1000 V<sub>RMS</sub>  
 Operating Temperature: -55°C to 125°C  
 Max. Working Voltage: 100 V<sub>RMS</sub> / 150 V<sub>DC</sub>  
 Insulator Resistance: 500V AC



Nº de Vias	A	B	C
06	7.62	7.62	10.16
08	10.16	7.62	10.16
14	17.78	7.62	10.16
16	20.32	7.62	10.16
18	22.86	7.62	10.16
20	25.40	7.62	10.16
22	27.94	10.16	12.70
24	30.48	15.24	17.78
24I*	30.40	7.62	10.16
28	35.56	15.24	17.78
28I*	35.40	7.62	10.16
32	40.62	15.24	17.78
40	50.80	15.24	17.78

Table 1 \* Narrow version

**HOW TO ORDER:  
 SCB-[ ]-[ ]-[ ]-P-[ ]-[ ]**

- |  |  |
|--|--|
| 1- Num. Ways:<br>Table 1   | 3- Spring Plating:<br>(E) Narrow version |
| 2- Spring Plating:<br>(E)-Sn<br>(D)-FLASH Au<br>(F)-0,38um Au<br>(G)-0,76um Au | 4- Insulator:<br>(N)- HB<br>(P)- V0      |
|  | 5- (R) RoHS Compliant                    |

		<b>MATRIX Tecnologia Ind. e Com. Ltda.</b>	
UNIT mm	SCALE 5:1	TITLE IC Socket	DATE AUGUST 2007
TOLERANCE: ±0.25		Type Piggy-Back	APP. BY
		MATL	CHK. BY
		DWG. NO.	DR. BY DIEGO