

REV	ECN. NO.	APP	DATE
A	EDIÇÃO INICIAL		
B	NOVO CÓDIGO		

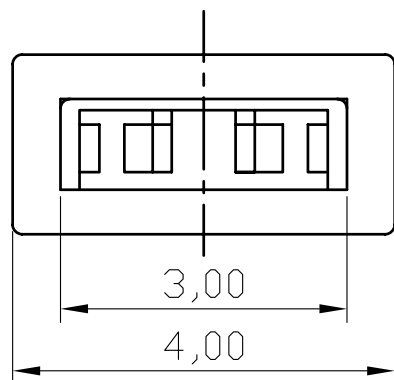
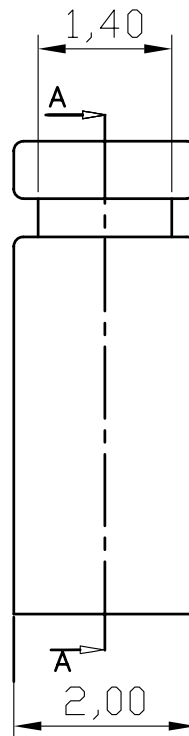
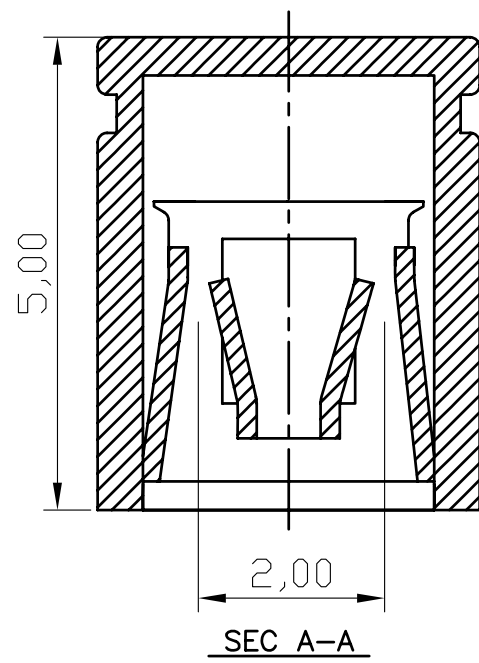
**SPECIFICATION**

Current Rating: 3Amp  
 Dielectric Withstanding: AC 1000V min.Per minute  
 Insulation Resistance: 1000M ohms At DC 500V  
 Contact Resistance: 25 M ohms Max  
 Contact Insertion Force: 1kg max  
 Contact Separation force: 70g min  
 Operating Temperature: -55°C To +85°C

**HOW TO ORDER:**

**MJM02[ ][TC]2R**

- |                     |                  |
|---------------------|------------------|
| 1- Terminal Plating | 2- Version:      |
| (E)-Tinned          | (P)-W/D Handle   |
| (D)-FLASH Au        | (TC)-Type Closed |
| (A)-0.38um Au       |                  |
| (B)-0.76um Au       |                  |



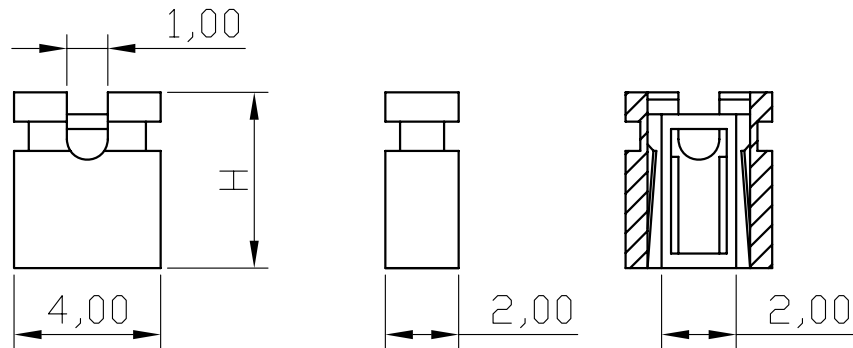
**MATRIX Tecnologia Ind. e Com. Ltda.**

UNIT mm	SCALE	TITLE JUMPER 2.00mm CLOSE TYPE	DATE DECEMBER 2009
TOLERANCE: ±0.25			APP. BY
		MATL	CHK. BY
		DWG. NO.	DR. BY FELIPE

REV	ECN. NO.	APP	DATE
A	EDIÇÃO INICIAL		
B	NOVO CÓDIGO		

**SPECIFICATION**

Current Rating: 3Amp  
 Dielectric Whithstanding Voltage: AC 650volts RMS  
 Insulation Resistance: 1000megahms Max  
 Contact Resistance: 30mAmp Max



**HOW TO ORDER:  
 MJM02[ ][P][ ]2R**

**1 2 3**

- 1- Terminal Plating  
 (E)-Tinned  
 (D)-FLASH Au  
 (A)-0.38um Au  
 (B)-0.76um Au
- 2- Version:  
 (P)-W/D Handle  
 (TC)-Type Closed
- 3- Type:  
 Table (Height)

TABLE	
TYPE	H
A	4,50
B	3,50
C	9,50
D	11,20



**MATRIX Tecnologia Ind. e Com. Ltda.**

UNIT mm	SCALE 5:1	TITLE 2.00mm OPEN JUMPER	DATE DECEMBER 2009
TOLERANCE: ±0.25			APP. BY
		MATL	CHK. BY
		DWG. NO.	DR. BY FELIPE