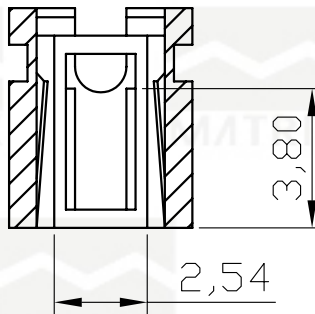
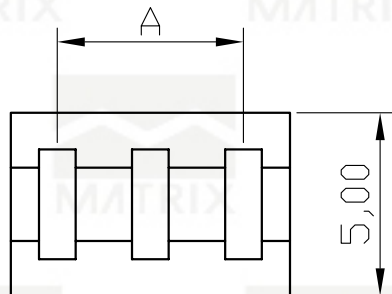
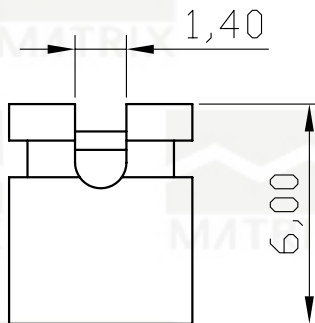
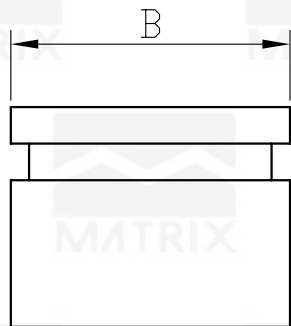


REV/	ECN. NO.	APP	DATE
A	EDIÇÃO INICIAL		



SPECIFICATION

Current Rating: 3Amp
 Dielectric Whithstanding Voltage: 650VAC (1mm)
 Insulation Resistance: 1000M minimum
 Contact Resistance: 20m maximum
 Durability: 50 cycles
 Engagement Force: 340 garms/a contact maximum
 Disengagement Force: 60 garms/a contact minimum
 Terminal Retention Force from Plastic: 540 grams minimum

**HOW TO ORDER:
 MJM-02-[]-[]-B-P-B-[]**

- 1 2 3**
 1- Nr. of Positions
 2 to 10
 2- Terminal Plating
 (E)-Tinned
 (D)-FLASH Au
 (A)-0.38um Au
 (B)-0.76um Au
 3- (R)RoHS Compliant

PIN N°	A	B
2	2,54	5,08
3	5,08	7,62
4	7,62	10,16
5	10,16	12,70
6	12,70	15,24
7	15,24	17,78
8	17,78	20,32
9	20,32	22,86
10	22,86	25,40



MATRIX Tecnologia Ind. e Com. Ltda.

0.0±	SCALE	TITLE	DATE	JULY 2007
0.00±			APP. BY	
0.000±				UNIT
	MATL	CHK. BY		
	DWG. NO.	DR. BY	DIEGO	