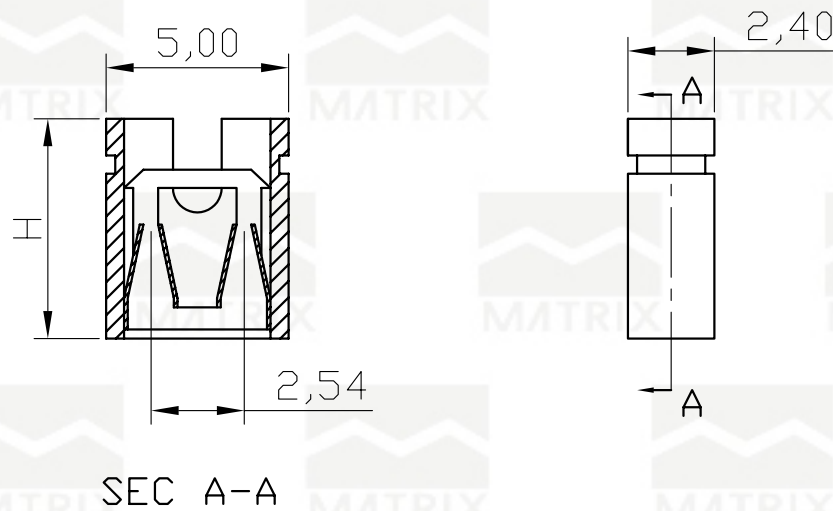
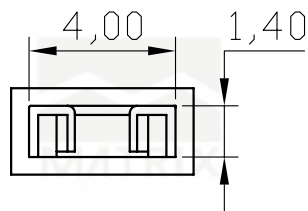


REV	ECN. NO.	APP	DATE
A	EDIÇÃO INICIAL		



Especification:

Current rating: 3Amp
 Dielectric Strength: 500V AC
 Insulator resistance: 1000M ohms min.
 Contact resistance: 20M ohms min.
 Operation temperature: -55°C to +85°C
 Maximum inserlion force: 200g-80g
 Minimum withdrawal force: 130g-80g



HOW TO ORDER:
MJM-02-[]-[P]-[]-[]
1 2 3 4

- 1- Terminal Plating (E)-Tinned (D)-FLASH Au (A)-0.38um Au (B)-0.76um Au
 2- Version: (A)-With Handle (P)-W/O Handle (TC)-Type Closed
 3- Type: Table (Height)
 4- (R)RoHS Compliant

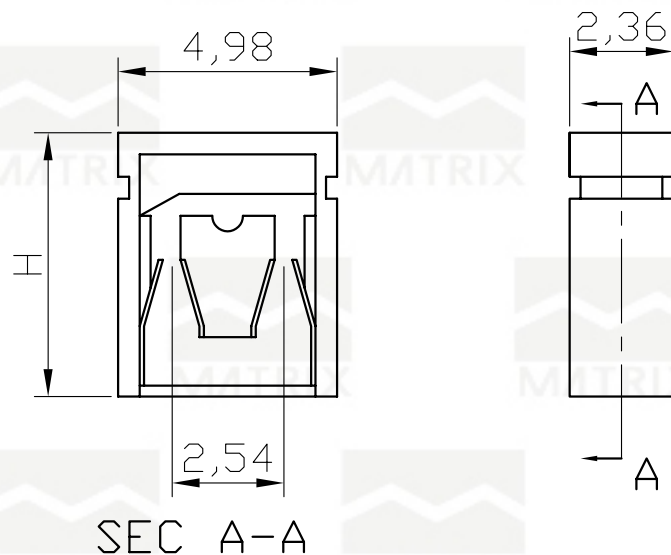
TABLE	
TYPE	H
A	4,50
B	6,00
C	8,00



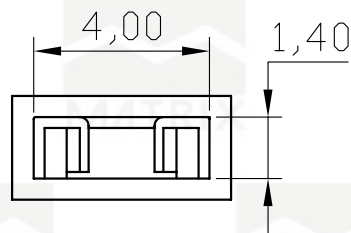
MATRIX Tecnologia Ind. e Com. Ltda.

0.0±	SCALE	TITLE Mini Jumper 2.54mm Open Type	DATE	JULY 2007
0.00±			APP. BY	
0.000±			UNIT	mm
	MATL	CHK. BY		
	DWG. NO.	DR. BY	DINO	

REV	ECN. NO.	APP	DATE
A	EDIÇÃO INICIAL		



Especification:
 Current rating: 3Amp
 Dielectric Strength: 500V AC
 Insulator resistance: 1000M ohms min.
 Contact resistance: 20M ohms min.
 Operation temperature: -55°C to +85°C
 Maximum inserlion force: 200g-80g
 Minimum withdrawal force: 130g-80g



HOW TO ORDER:
MJM-02-[]-[TC]-[]-[]

- 1** 2 2 3
 1- Terminal Plating (E)-Tinned (D)-FLASH Au (A)-0.38um Au (B)-0.76um Au
 2- Version: (A)-With Handle (P)-W/O Handle (TC)-Type Closed
 3- Type: Table (Height)
 4- (R)RoHS Compliant

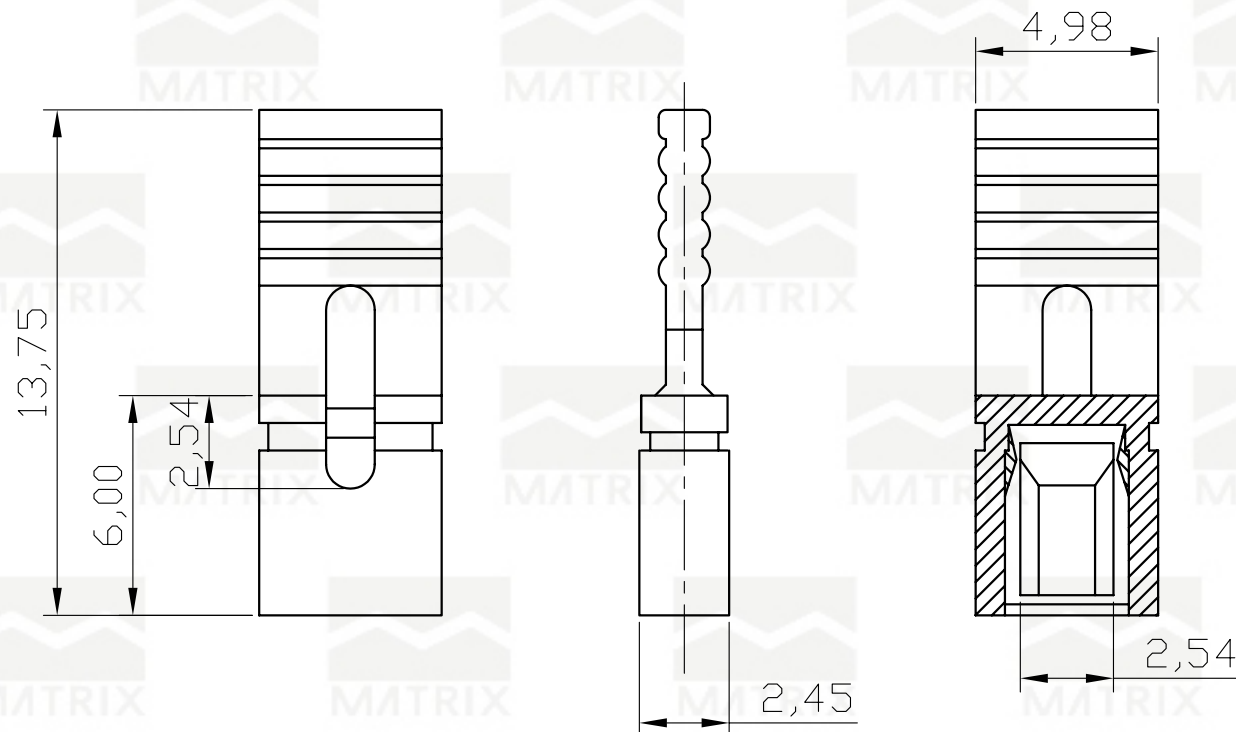
TABLE	
TYPE	H
A	4,50
B	6,00
C	8,00



MATRIX Tecnologia Ind. e Com. Ltda.

0.0±	SCALE	TITLE	DATE
0.00±	UNIT mm	Mini Jumper 2.54mm	JULY 2007
0.000±		Close Type	APP. BY
	MATL	CHK. BY	
	DWG. NO.	DR. BY	DIEGO

REV	ECN. NO.	APP	DATE
A	EDIÇÃO INICIAL		



SPECIFICATIONS

Current Rating: 3Amp MAX
 Contact Resistance: 30mΩ MAX
 Insulation Resistance: 1000mΩ MAX

HOW TO ORDER:

MJM-02-[]-[A]-[O]-[]

1 2 3

- 1- Terminal Plating: (E)-Tinned, (D)-FLASH Au, (A)-0.38um Au, (B)-0.76um Au
- 2- Version: (A)-With Handle, (P)-W/O Handle, (TC)-Type Closed
- 3- (R)RoHS Compliant



MATRIX Tecnologia Ind. e Com. Ltda.

0.0±	SCALE	TITLE JUMPER 2.54mm WITH HANDLE	DATE	JULY 2007
0.00±			APP. BY	
0.000±	UNIT mm		MATL	CHK. BY
		DWG. NO.	DR. BY	DIEGO