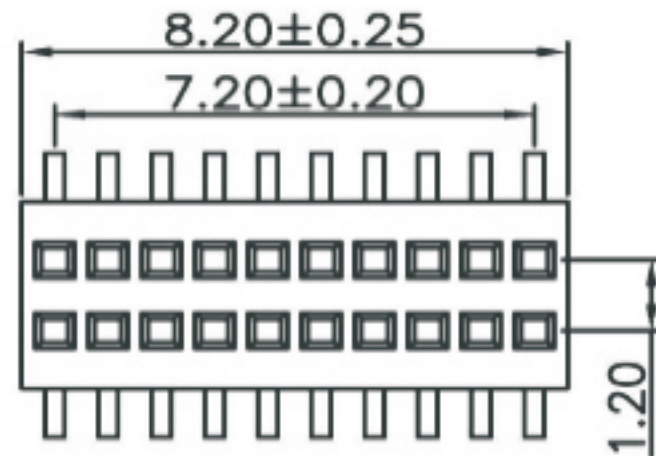
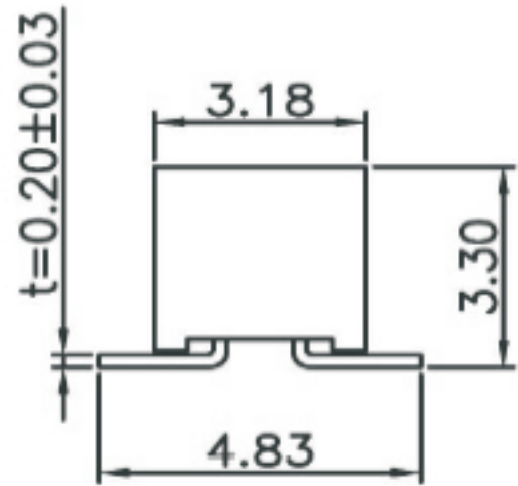


REV	ECN. NO.	APP	DATE
A	EDIÇÃO INICIAL		





P.C.B LAYOUT

- MATERIAL:**
INSULATOR: LCP
CONTACT: PHOSPHOR BRONZE
- CHARACTERISTICS:**
CURRENT RATING : 0.75A @80°C AMBIENT
VOLTAGE RATING : 250V AC,DC
TEMPERATURE RATING : -65°C ~ +125°C
- CONTACT RESISTANCE:**
INITIAL: 20m OHM MAX.
AFTER ENVIRONMENTAL TEST: 40m OHM MAX.
- INSULATION RESISTANCE:**
INITIAL: 1000M OHM MIN.
AFTER HUMIDITY AND THERMAL SHOCK TEST: 500M OHM MIN.
- DIELECTRIC WITHSTANDING VOLTAGE: 1000V AC/MIN**
- MECHANICAL PERFORMANCE:**
INSERTION FORCE: 56 GRAMS AVERAGE.
WITHDRAWAL FORCE: 33 GRAMS AVERAGE.
NORMAL FORCE: 75 GRAMS AVERAGE.
- MAX PROCESSING TEMP:**
260°C FOR 10 SECONDS
- MAX CYCLES:**
TIGER EYE=100 WITH

HOW TO ORDER: MAT[][D][R][][S][G]D[][R] 1 2 3 4 5 6 7

- | | | |
|---------------------------------------|--|--|
| 1- Nr. of Ways
Double Row: 2 to 80 | 4- Terminal Plating:
(E)-Sn
(D)-FLASH Au
(F)-0,38um Au
(G)-0,76um Au
(C)-0,38um Au/Sn
(H)-0,76um Au/Sn | 5- Pitch & Profile:
(G)-0,8mm x 1,20mm
3,10mm -Profile |
| 2- Row Version:
(D)-Double Row | 6- Options:
(T)-Tube Packing
(R)-Reel Packing
(N)-Without Locating Peg | |
| 3- Pin Style
(R)-180° | 7- (R) RoHS Compliant | |

 MATRIX TECNOLOGIA IND. E COM. LTDA.			
UNIT mm	SCALE	TITLE 0,8x1,2mm FEMALE HEADER HEIGHT 3,1mm 180° DOUBLE ROW SMD TYPE	DATE SEPTEMBER 2007
TOLERANCE: ±0.25			APP. BY
		MATL	CHK. BY
DWG. NO.			DR. BY DIEGO