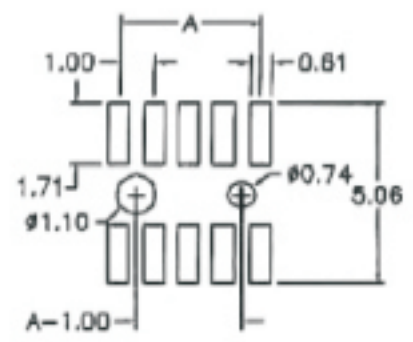
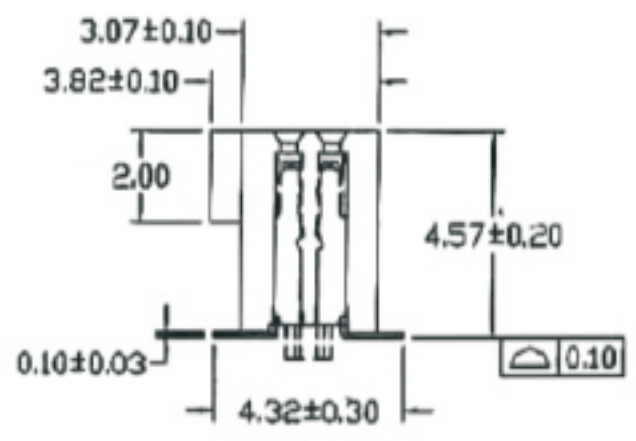
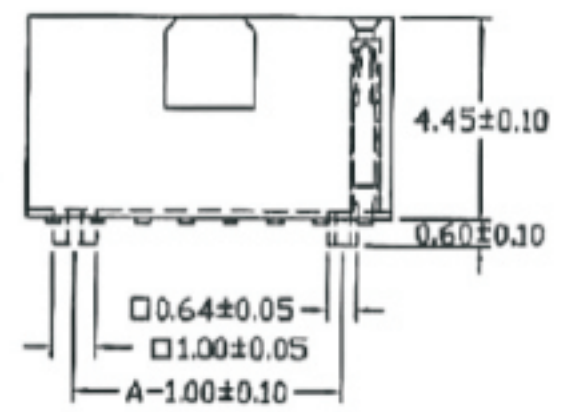
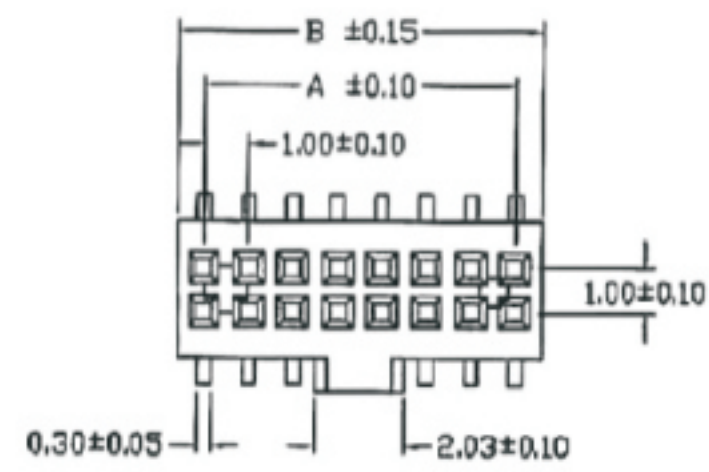


REV	ECN. NO.	APP	DATE
A	EDIÇÃO INICIAL		



No. of Contacts	DIMENSIONS	
	A	B
10	4.00	5.20
12	5.00	6.20
14	6.00	7.20
16	7.00	8.20
18	8.00	9.20
20	9.00	10.20
22	10.00	11.20
24	11.00	12.20
26	12.00	13.20
28	13.00	14.20
30	14.00	15.20
32	15.00	16.20
34	16.00	17.20
36	17.00	18.20
38	18.00	19.20
40	19.00	20.20
42	20.00	21.20
44	21.00	22.20
46	22.00	23.20
48	23.00	24.20
50	24.00	25.20
52	25.00	26.20
54	26.00	27.20
56	27.00	28.20
58	28.00	29.20
60	29.00	30.20
62	30.00	31.20
64	31.00	32.20

SPECIFICATIONS

Current Rating: 1 Amp
 Insulator resistance: 5000 Megohms min.
 Contact resistance: 20 m ohms max.
 Dielectric withstanding: AC 500 V
 Operating Temperature: -40°~+105°C
 Max Processing Temp: 230° for 30 seconds
 Contact Material: Phosphor Bronze.
 Insulator Material: Polyester, UL 94V-0
 Standard: L.C.P
 Finish: Gold plated
 Standard: Gold flash all over

HOW TO ORDER:
MAT[][D][R][][S][B]D[X][][R]
1 2 3 4 5 6 7 8

- 1- Nr. of Ways
Double Row: 2 to 80
- 2- Row Version:
(D)-Double Row
- 3- Pin Style
(R)-180°
- 4- Terminal Plating:
(E)-Sn
(D)-FLASH Au
(F)-0,38um Au
(G)-0,76um Au
(C)-0,38um Au/Sn
(H)-0,76um Au/Sn
- 5- Pitch:
(B)-1,0mm x 1,0mm
- 6- Profile:
(X)-4,45mm
- 7- Options:
(T)-Tube Packing
(R)-Reel Packing
(C)-Cap + Tube
(Q)-Cap+Reel
(Y)-With Locating Peg (Tube
(I)-
- 6- (R) RoHS Compliant

MATRIX MATRIX TECNOLOGIA IND. E COM. LTDA.

UNIT mm	SCALE	TITLE 1.0mm FEMALE HEADER HEIGHT4.45mm DOUBLE ROW SMD TYPE	DATE SEPTEMBER 2007
TOLERANCE: ±0.25			APP. BY
		MATL	CHK. BY
		DWG. NO.	DR. BY DIEGO