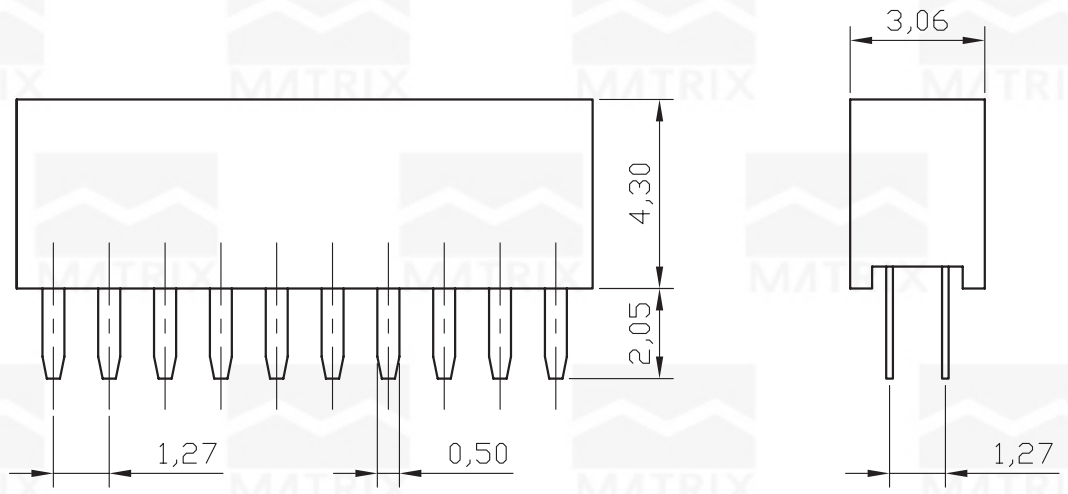


REV	ECN. NO.	APP	DATE
A	EDIÇÃO INICIAL		

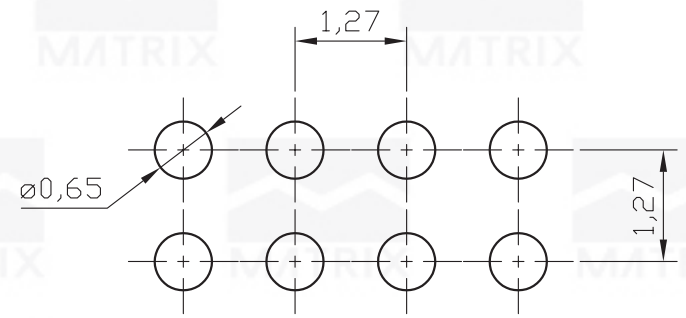
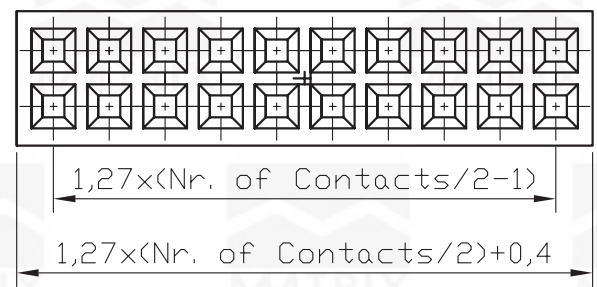


SPECIFICATION

Current Rating: 1A
 Withstanding Voltage: 500Vac
 Insulation Resistance: 1000Megohms Min.
 Contact Resistance: 30Milliohms Max.
 Operating Temperature: -55°C to 105°C

MATERIAL

Contact: Phosphor Bronze
 Insulator: Nylon 6T



RECOMMENDED P.C.B. LAYOUT

HOW TO ORDER:
MAT-[] [D] [R] [] S-1,27-P4,3-[]
1 2 3 4 5

- 1- Nr. of Ways
Double Row: 2 to 80
- 2- Row Version:
(D)-Double Row
- 3- Pin Style
(R)-180°
- 4- Terminal Plating:
(E)-Sn
(D)-FLASH Au
(F)-0,38um Au
(G)-0,76um Au
(C)-0,38um Au/Sn
(H)-0,76um Au/Sn
- 5- (R)RoHS Compliant

		MATRIX Tecnologia Ind. e Com. Ltda.	
UNIT mm	SCALE	TITLE 1,27mm FEMALE HEADER HEIGHT 4,3mm DOUBLE ROW 180°	DATE OCTOBER 2007
TOLERANCE: ±0.25			APP. BY
		MATL	CHK. BY
		DWG. NO.	DR. BY Diego