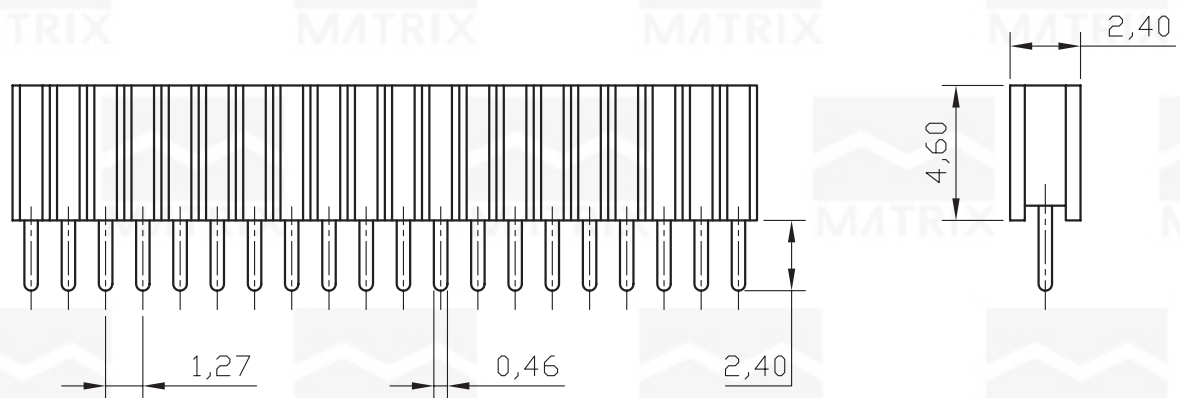


REV	ECN. NO.	APP	DATE
A	EDIÇÃO INICIAL		

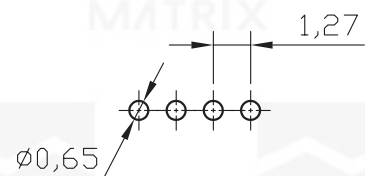
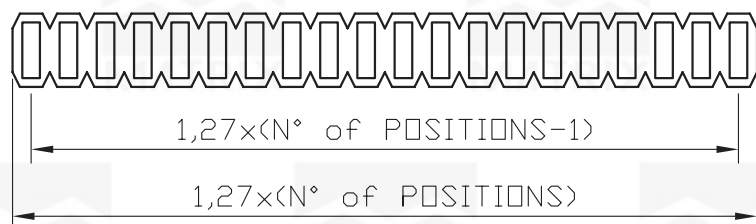


**SPECIFICATIONS**

Current Rating: 1Amp  
 Insulation Resistance: 1000MΩ Min.  
 Dielectric Withstanding: 300V AC/DC  
 Contact Resistance: 20mΩ Max.  
 Operating Temperature: -40°C to 105°C

**MATERIAL**

Contact Material: Phosphor Bronze  
 Insulation Material: Polyester, UL 94V-0  
 Nylon 6T



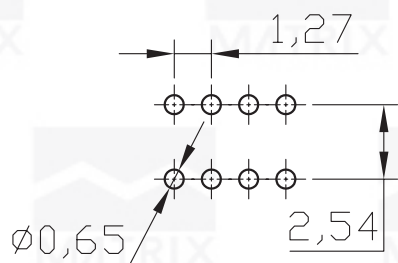
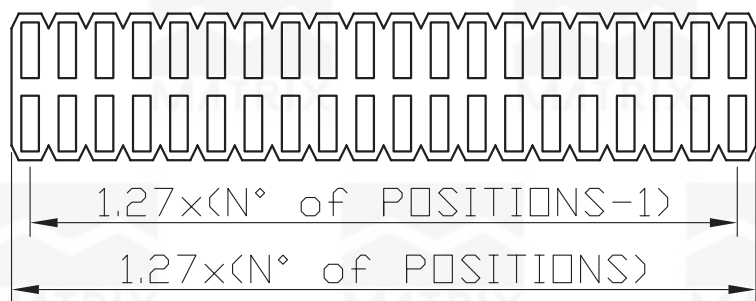
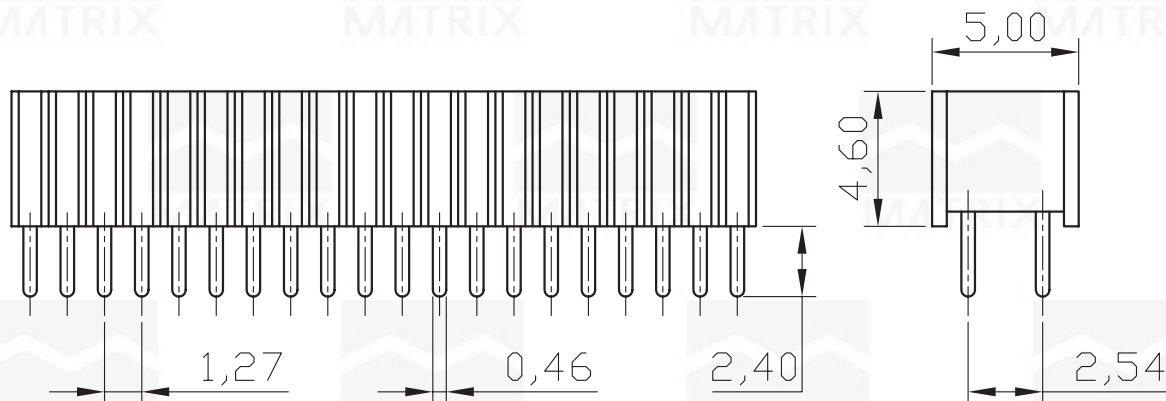
Recommended P.C.Board  
Hole Layout

**HOW TO ORDER:**  
**MAT-[ ] [S][R][ ] S1.27x2.54P4.6-[ ]**  
**1 2 3 4 5**

- 1- Nr. of Ways  
 Single Row: 1 to 40  
 Double Row: 2 to 80
- 2- Row Version:  
 (S)-Single Row  
 (D)-Double Row
- 3- Pin Style  
 (R)-180°
- 4- Terminal Plating:  
 (E)-Sn  
 (D)-FLASH Au  
 (F)-0,38um Au  
 (G)-0,76um Au  
 (C)-0,38um Au/Sn  
 (H)-0,76um Au/Sn
- 5- (R)RoHS Compliant

		<b>MATRIX Tecnologia Ind. e Com. Ltda.</b>	
UNIT mm	SCALE 4:1	TITLE 1.27mm FEMALE HEADER HEIGHT 4.6mm SINGLE ROW 180°	DATE August 2007
TOLERANCE: ±0.25		MATL	APP. BY
			CHK. BY
DWG. NO.			DR. BY Diego

REV	ECN. NO.	APP	DATE
A	EDIÇÃO INICIAL		



Recommended P.C.Board  
Hole Layout

### SPECIFICATIONS

Current Rating: 1Amp  
 Insulation Resistance: 1000MΩ Min.  
 Dielectric Withstanding: 300V AC/DC  
 Contact Resistance: 20mΩ Max.  
 Operating Temperature: -40°C to 105°C

### MATERIAL

Contact Material: Phosphor Bronze  
 Insulation Material: Polyester, UL 94V-0  
 Nylon 6T

### HOW TO ORDER:

**MAT-[ ]-[D]-[R]-[ ]-S-1.27x2.54-P4.6-[ ]**

**1 2 3 4 5**

- 1- Nr. of Ways  
 Single Row: 1 to 40  
 Double Row: 2 to 80
- 2- Row Version:  
 (S)-Single Row  
 (D)-Double Row
- 3- Pin Style  
 (R)-180°
- 4- Terminal Plating:  
 (E)-Sn  
 (D)-FLASH Au  
 (F)-0,38um Au  
 (G)-0,76um Au  
 (C)-0,38um Au/Sn  
 (H)-0,76um Au/Sn
- 5- (R)RoHS Compliant



**MATRIX Tecnologia Ind. e Com. Ltda.**

UNIT mm	SCALE 4:1	TITLE 1.27mm FEMALE HEADER HEIGHT 4.6mm DOUBLE ROW 180°	DATE AUGUST 2007
TOLERANCE: ±0.25			APP. BY
		MATL	CHK. BY
		DWG. NO.	DR. BY DIEGO