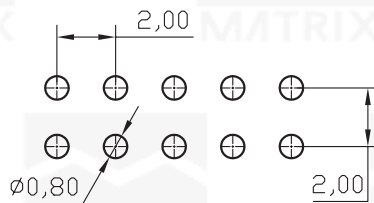
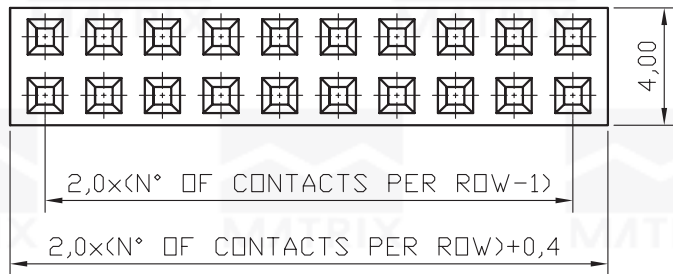
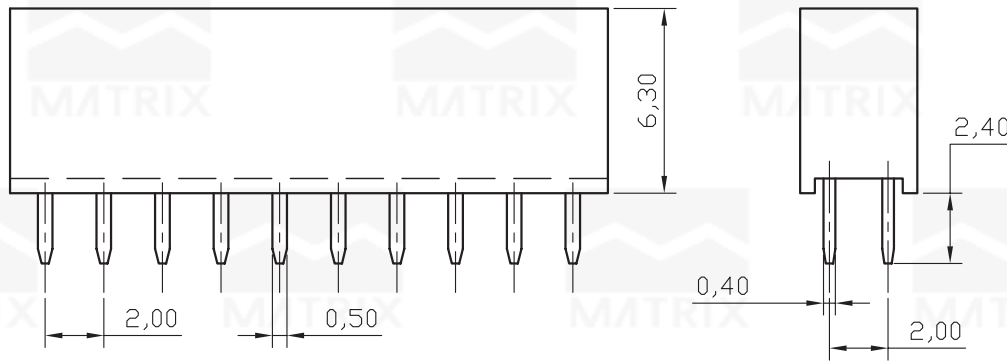


REV	ECN. NO.	APP	DATE
A	EDIÇÃO INICIAL		



Recommended P.C.Board Hole Layout

### SPECIFICATIONS

Current Rating: 1Amp  
 Insulator Resistance: 5000MΩ min.  
 Contact Resistance: 20mΩ max.  
 Dielectric Withstanding: AC 500V  
 Operating Temperature: -40°C to 105°C  
 Max. Processing Temp.: 230°C for 30 seconds  
 Contact Material: Phosphor Bronze  
 Insulator Material: High Temperature Termoplastic, UL 94V-0  
 Finish: Tin Gold or Duplex plated  
 Standard: Duplex Plated  
 Note:  
 Duplex Plating: Gold plated on Contact area  
 Tin on Solder area

### HOW TO ORDER:

**MAT-[ ]-[D]-[R]-[ ]-S-2.0-P6.3-[ ]**  
 1 2 3 4 5

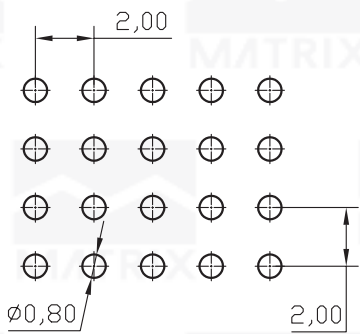
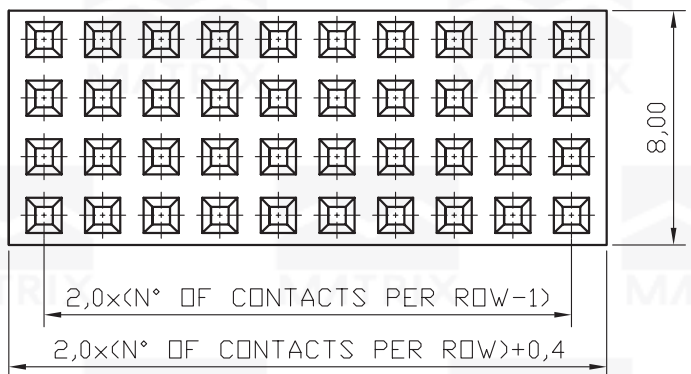
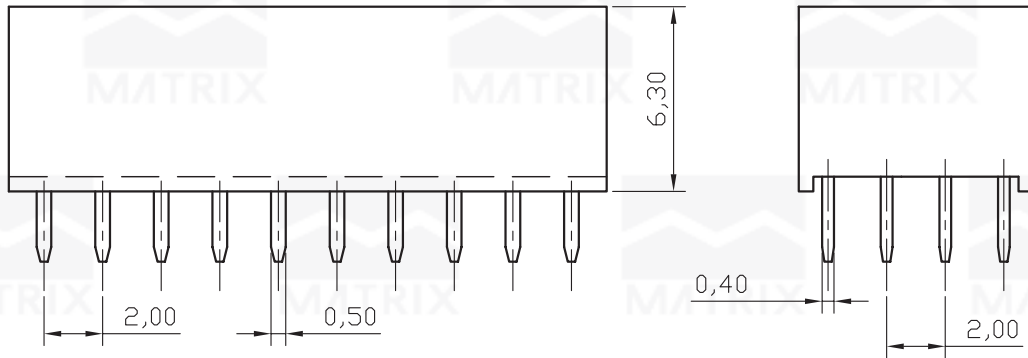
- 1- Nr. of Ways  
 Double Row: 02 to 80  
 Four Row: 4 to 120
- 2- Row Version:  
 (D)-Double Row  
 (Q)-Four Row
- 3- Pin Style  
 (R)-180°
- 4- Terminal Plating:  
 (E)-Sn  
 (D)-FLASH Au  
 (F)-0,38um Au  
 (G)-0,76um Au  
 (C)-0,38um Au/Sn  
 (H)-0,76um Au/Sn
- 5- (R)RoHS Compliant



**MATRIX Tecnologia Ind. e Com. Ltda.**

0.0±	SCALE	TITLE	DATE
0.00±		2.0x2.0mm FEMALE HEADER	JUNE 2007
0.000±	UNIT mm	180° DUAL ROW H=6.3	APP. BY
		MATL	CHK. BY
		DWG. NO.	DR. BY DIEGO

REV	ECN. NO.	APP	DATE
A	EDIÇÃO INICIAL		





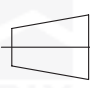
Recommended P.C.Board Hole Layout

**SPECIFICATIONS**

Current Rating: 1Amp  
 Insulator Resistance: 5000MΩ min.  
 Contact Resistance: 20mΩ max.  
 Dielectric Withstanding: AC 500V  
 Operating Temperature: -40°C to 105°C  
 Max. Processing Temp.: 230°C for 30 seconds  
 Contact Material: Phosphor Bronze  
 Insulator Material: High Temperature Termoplastic, UL 94V-0  
 Finish: Tin Gold or Duplex plated  
 Standard: Duplex Plated  
 Note:  
 Duplex Plating: Gold plated on Contact area  
 Tin on Solder area

**HOW TO ORDER:  
 MAT-[ ]-[Q]-[R]-[ ]-S-2.0-P6.3-[ ]**

- |                      |                      |
|----------------------|----------------------|
| 1- Nr. of Ways       | 4- Terminal Plating: |
| Double Row: 02 to 80 | (E)-Sn               |
| Four Row: 4 to 120   | (D)-FLASH Au         |
| 2- Row Version:      | (F)-0,38um Au        |
| (D)-Double Row       | (G)-0,76um Au        |
| (Q)-Four Row         | (C)-0,38um Au/Sn     |
| 3- Pin Style         | (H)-0,76um Au/Sn     |
| (R)-180°             | 5- (R)RoHS Compliant |

 <b>MATRIX Tecnologia Ind. e Com. Ltda.</b>			
0.0±	SCALE	TITLE	DATE
0.00±		2.0x2.0mm FEMALE HEADER	JUNE 2007
0.000±	UNIT mm	180° FOUR ROW H=6.3	APP. BY
		MATL	CHK. BY
		DWG. NO.	DR. BY DIEGO