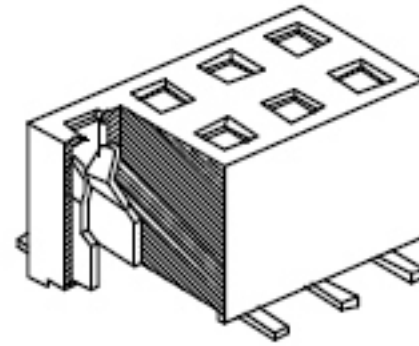
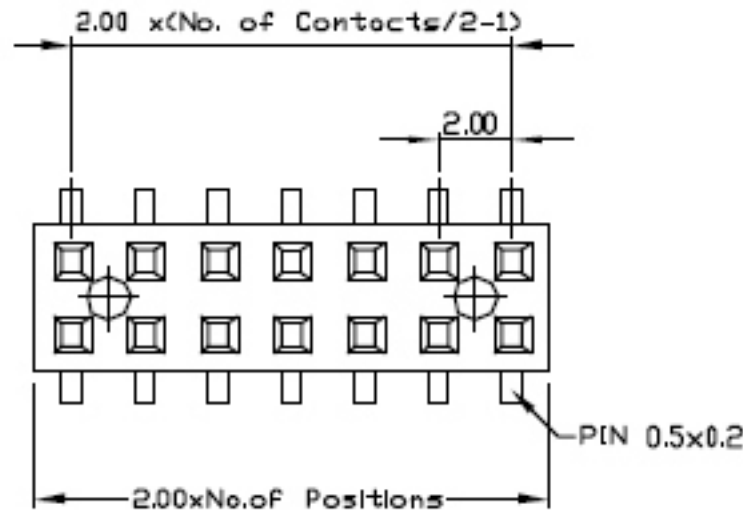
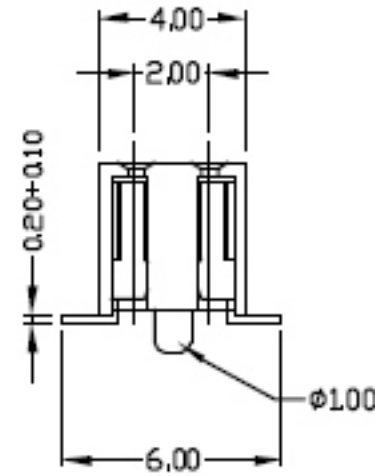
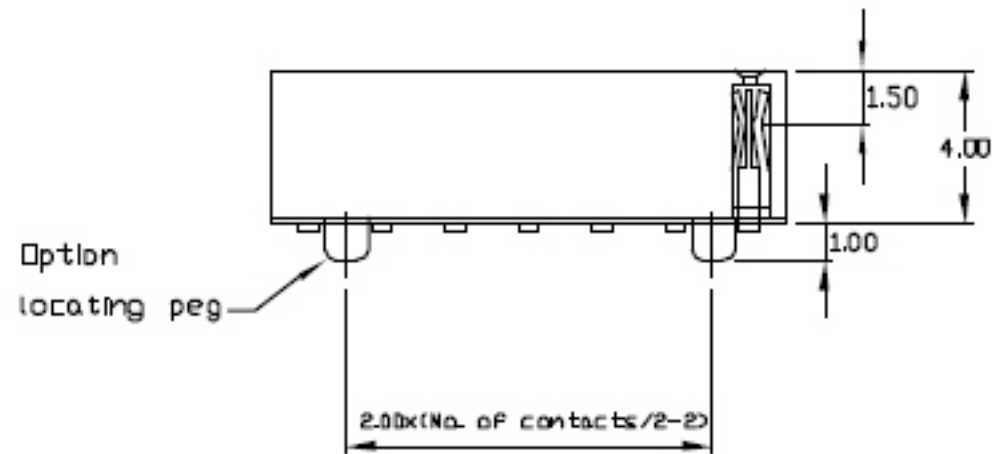
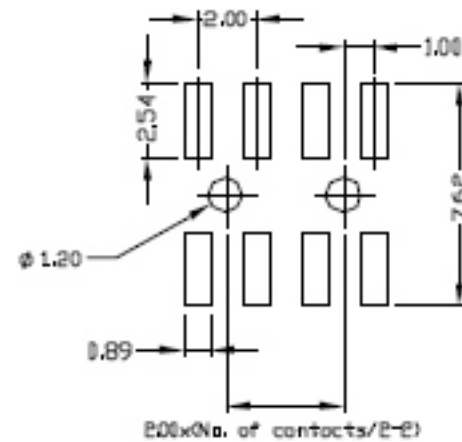


REV	ECN. NO.	APP	DATE
A	EDIÇÃO INICIAL		



SPECIFICATIONS

Current Rating: 1 Amps
 Insulator resistance: 5000 Megohms min.
 Contact resistance: 20 m ohm Max.
 Dielectric withstanding: AC 500 V
 Operating Temperature: $-40^{\circ} \sim +105^{\circ}\text{C}$
 Max Processing Temp: 230° for 30 seconds
 Contact Material: Phosphor Bronze.



Recommended P.C. Board
SMT Layout

HOW TO ORDER:

MAT-[]-[D]-[R]-[]-S-2.0-SMD-P4.0-[P]-[]

1 2 3 4 5 6

- | | |
|---------------------|-----------------------|
| 1- Nr. of Ways | 4- Terminal Plating: |
| Single Row 1 to 40 | (E)-Sn |
| Double Row: 2 to 80 | (D)-FLASH Au |
| 2- Row Version: | (F)-0,38um Au |
| (S)-Single Row | (G)-0,76um Au |
| (D)-Double Row | (C)-0,38um Au/Sn |
| 3- Pin Style | (H)-0,76um Au/Sn |
| (N)-90° | 5- (P) Location Peg |
| (R)-180° | 6- (R) RoHS Compliant |



MATRIX Tecnologia Ind. e Com. Ltda.

UNIT	SCALE	TITLE	DATE
mm		2.0mm FEMALE HEADER H=4.0 SMD	September 2007
TOLERANCE: ± 0.25			APP. BY
		MATL	CHK. BY
		DWG. NO.	DR. BY Diego