

REV	ECN. NO.	APP	DATE
A	EDIÇÃO INICIAL		

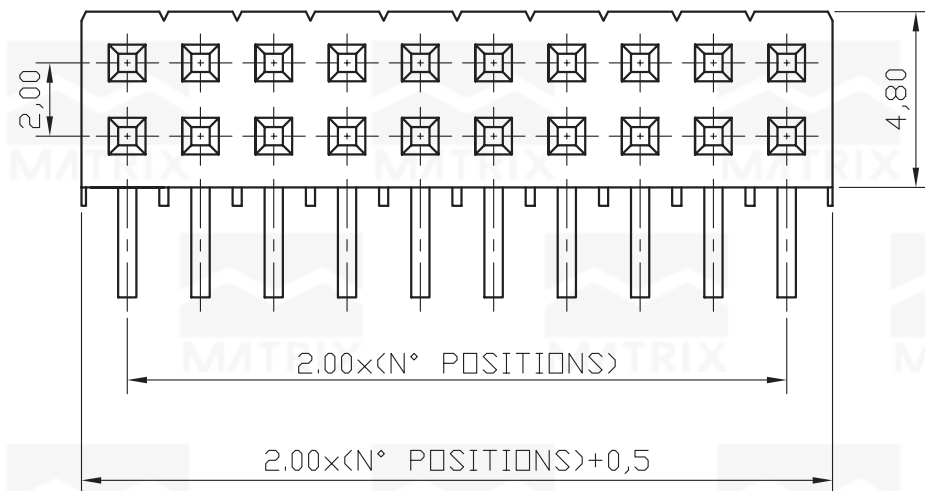
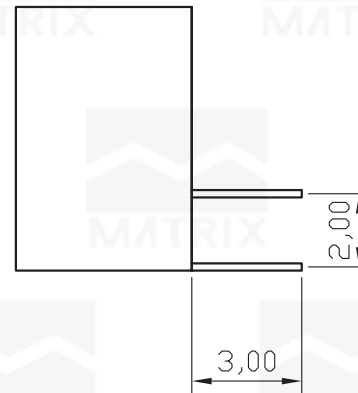
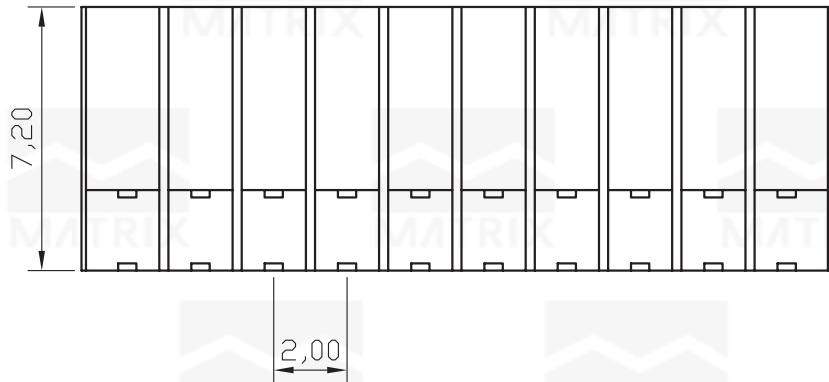
SPECIFICATIONS

Material

Insulator: PBT, glass reinforced, rated UL94V-0
Contact: Phosphor Bronze

Electrical

Current Rating: 1Amp DC
Contact Resistance: 30mΩ max.
Insulation Resistance: 3000MΩ min.
Dielectric Withstanding Voltage: 500V AC for 1 min
Operating Temperature: -40°C to 105°C



HOW TO ORDER: MAT-[]-[S]-[N]-[]-[B]-2.0-P7.2-[]

1 2 3 4 5 6

- 1- Nr. of Ways
Single Row: 2 to 36
- 2- Row Version:
(S)-Single Row
- 3- Pin Style
(N)-90°
- 4- Terminal Plating:
(E)-Sn
(D)-FLASH Au
(F)-0,38um Au
(G)-0,76um Au
(C)-0,38um Au/Sn
(H)-0,76um Au/Sn
- 5- Profile
(S)-7,2x6,15mm
(A)-7,2x5,45mm
(B)-7,2x4,8mm (Single Row)
- 6- (R)RoHS Compliant



MATRIX Tecnologia Ind. e Com. Ltda.

UNIT mm	SCALE 5:1	TITLE 2.0mm FEMALE HEADER 90° WAVY TYPE	DATE AUGUST 2007
TOLERANCE: ±0.25			APP. BY
		MATL	CHK. BY
		DWG. NO.	DR. BY DIEGO