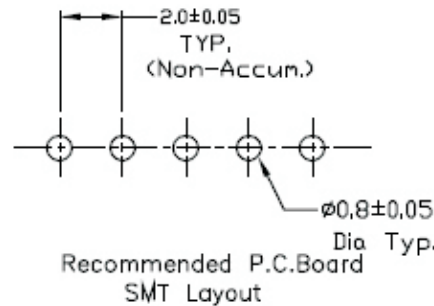
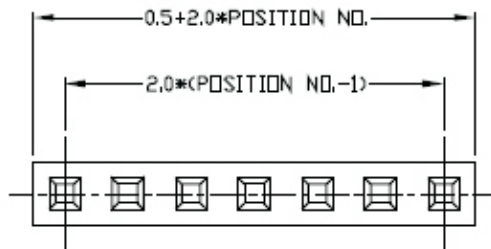
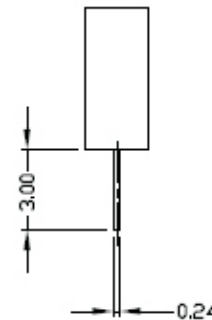
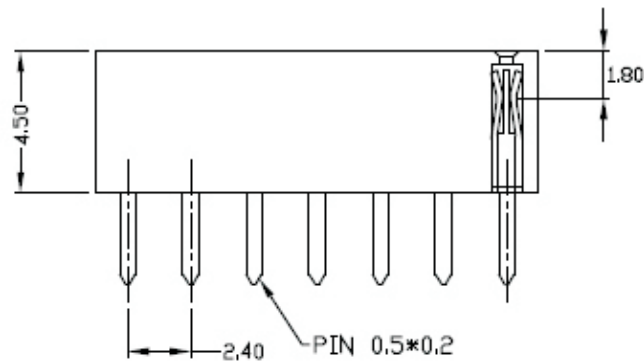


REV	ECN. NO.	APP	DATE
A	EDIÇÃO INICIAL		



SPECIFICATIONS

Current Rating: 1 Amp DC
 Contact resistance: 15 milliohm Max.
 Insulator resistance: 500 Megohms min.
 Dielectric Voltage: 500V AC For One Minute.
 Operating Temperature: -40° ~ +105°C

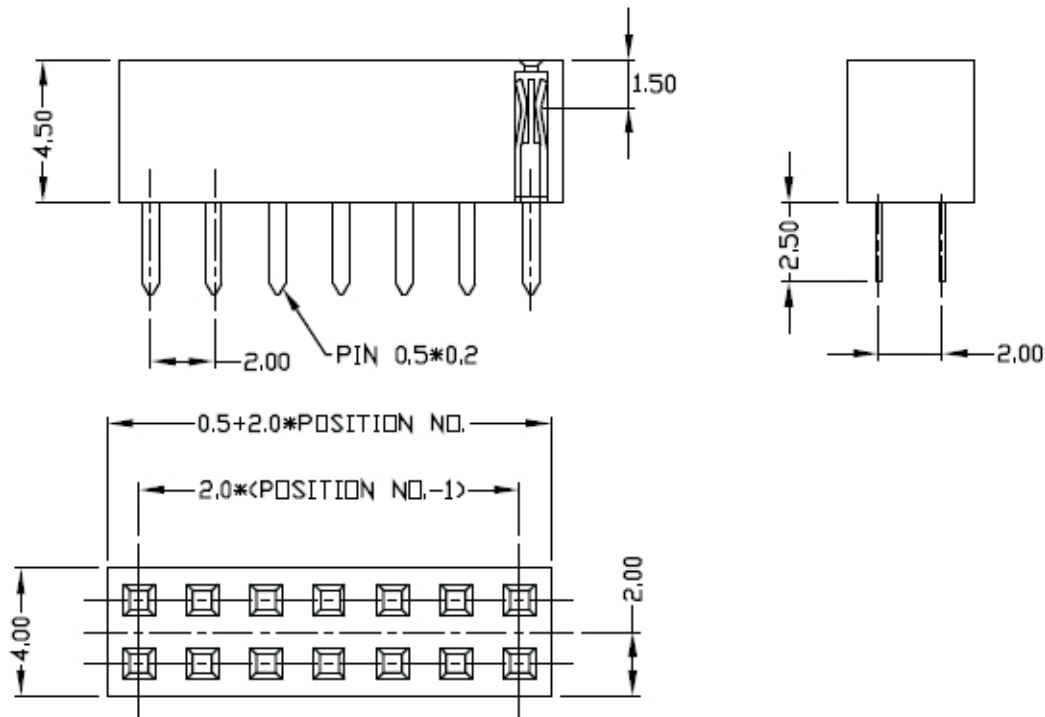
HOW TO ORDER:

MAT-[]-[S]-[R]-[]-S-2.0-P4.5-[]
 1 2 3 4 5

- 1- Nr. of Ways
 Single Row 1 to 40
 Double Row: 2 to 80
- 2- Row Version:
 (S)-Single Row
 (D)-Double Row
- 3- Pin Style
 (N)-90°
 (R)-180°
- 4- Terminal Plating:
 (E)-Sn
 (D)-FLASH Au
 (F)-0,38um Au
 (G)-0,76um Au
 (C)-0,38um Au/Sn
 (H)-0,76um Au/Sn
- 5- (R) RoHS Compliant

UNIT		SCALE	TITLE	DATE
mm			2.0mm FEMALE HEADER H=4.5mm	September 2007
TOLERANCE: ±0.25				APP. BY
			MATL	CHK. BY
			DWG. NO.	DR. BY Diego

REV	ECN. NO.	APP	DATE
A	EDIÇÃO INICIAL		



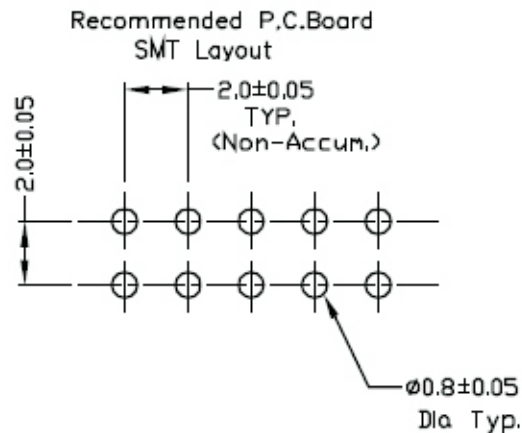
SPECIFICATIONS


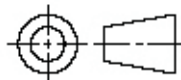
Current Rating: 1 Amp DC
 Contact resistance: 15 milliohm Max.
 Insulator resistance: 500 Megohms min.
 Dielectric Voltage: 500V AC For One Minute.
 Operating Temperature: -40° ~ +105°C

HOW TO ORDER: MAT-[]-[D]-[R]-[]-S-2.0-P4.5-[]

1
2
3
4
5

- | | |
|-------------------------------------------------------------|--------------------------------------------------------------------------------------------------------------------------|
| 1- Nr. of Ways
Single Row 1 to 40
Double Row: 2 to 80 | 4- Terminal Plating:
(E)-Sn
(D)-FLASH Au
(F)-0,38um Au
(G)-0,76um Au
(C)-0,38um Au/Sn
(H)-0,76um Au/Sn |
| 2- Row Version:
(S)-Single Row
(D)-Double Row | 5- (R) RoHS Compliant |
| 3- Pin Style
(N)-90°
(R)-180° | |



 MATRIX Tecnologia Ind. e Com. Ltda.		UNIT	SCALE	TITLE	DATE
		mm		2.0 FEMALE HEADER 180° H:4.5mm DOUBLE ROW	September 2007
		TOLERANCE: ± 0.25			APP. BY
		MATL		CHK. BY	
		DWG. NO.		DR. BY Diego	