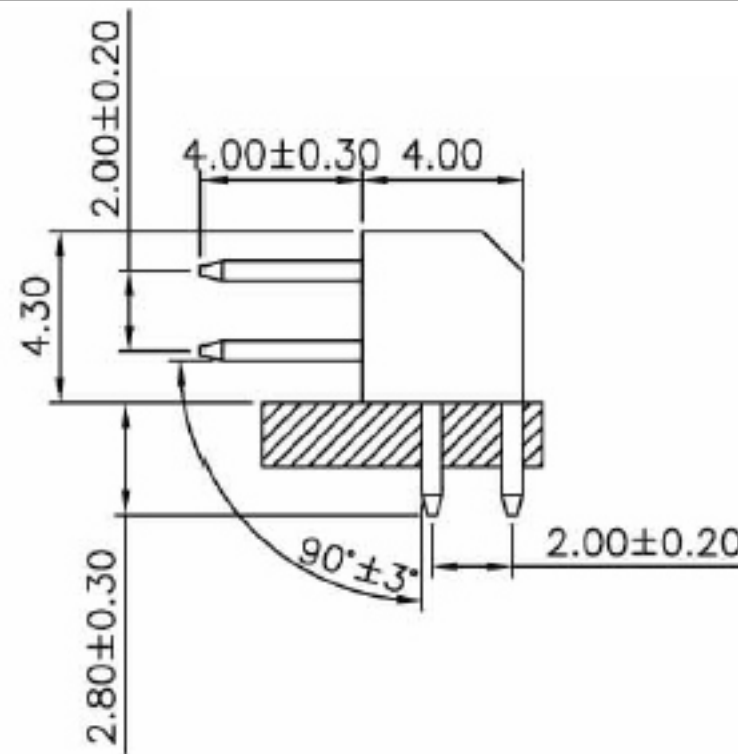
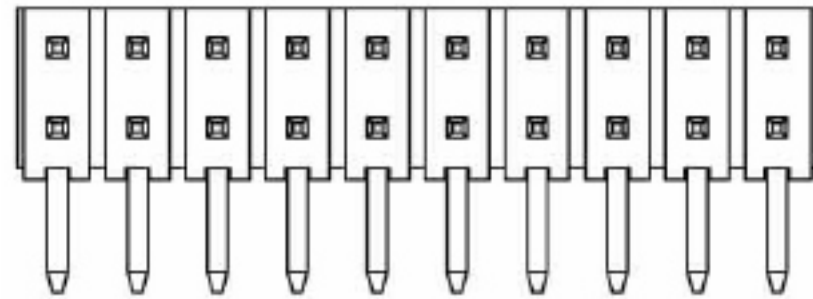


| REV | ECN. NO. | APP | DATE |
|-----|----------------|-----|------|
| A | EDIÇÃO INICIAL | | |
| | | | |
| | | | |

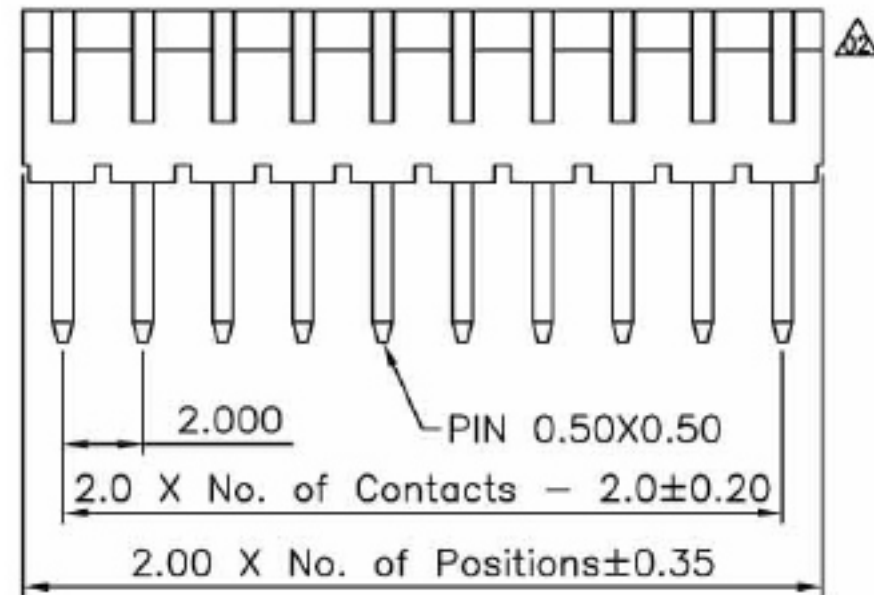


Specifications

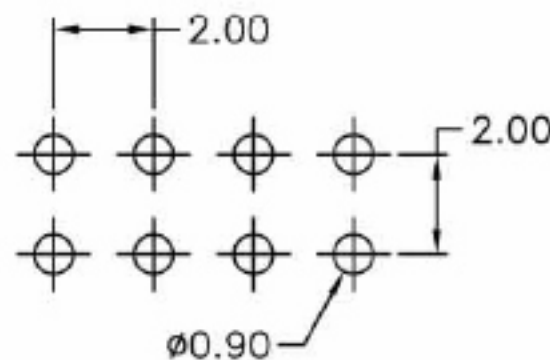
Current Rating: 2Amp
 Insulation Resistance: 1000MΩ Min.
 Dielectric Withstanding: 500V AC
 Contact Resistance: 20mΩ Max.
 Operating Temperature: -40°C to +105°C

Materials

Contact Material: Copper Alloy
 Insulation Material: Polyester, UL 94V-0
 Nylon 6T



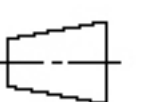


Recommended P.C.Board
Hole Layout



HOW TO ORDER: MAT-[]-[D]-[N]-[]-S-2.0-TH-[]

- | | |
|---------------------|-----------------------|
| 1- Nr. of Ways | 4- Terminal Plating: |
| Double Row: 2 to 80 | (E)-Sn |
| 2- Row Version: | (D)-FLASH Au |
| (D)-Double Row | (F)-0,38um Au |
| 3- Pin Style | (G)-0,76um Au |
| (N)-90° | (C)-0,38um Au/Sn |
| | (H)-0,76um Au/Sn |
| | 5- (R) RoHS Compliant |

|  MATRIX TECNOLOGIA IND. E COM. LTDA. | | | |
|-----------------------------------------------------------------------------------------------------------------------------------------------------------------------------|-------|--------------------------------------------------|------------------------|
| UNIT mm | SCALE | TITLE 2,0mm FEMALE HEADER HEIGHT 4.3mm 90° | DATE SEPTEMBER 2007 |
| TOLERANCE: ±0.25 | | DOUBLE ROW - T/H ASSEMBLY | APP. BY |
|   | | MATL | CHK. BY |
| DWG. NO. | | | DR. BY DIEGO |