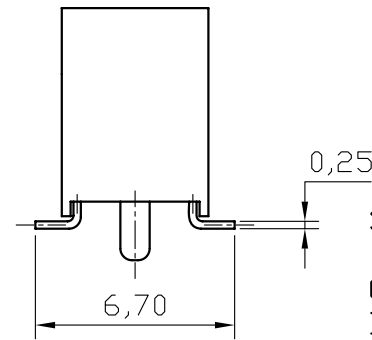
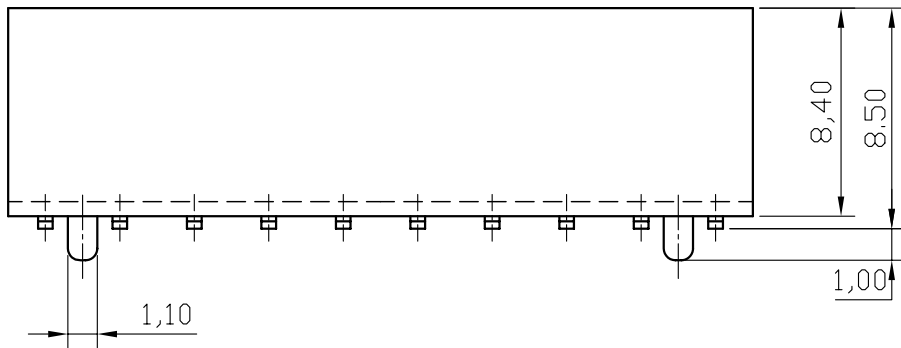


REV/	ECN. NO.	APP	DATE
A	EDIÇÃO INICIAL		



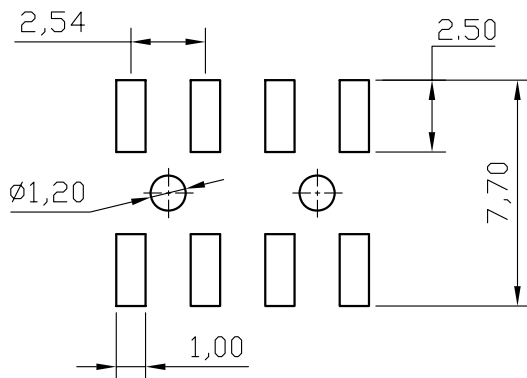
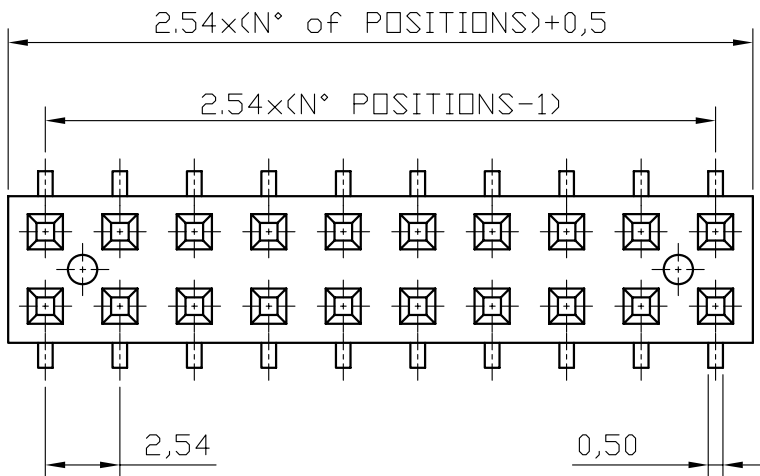
SPECIFICATIONS

Current Rating: 1Amp.
 Insulator Resistance: 3000Megohms min.
 Contact Resistance: 30m ohms max.
 Dielectric Withstanding: 500V AC.
 Operating Temperature: -40°C to 105°C.
 Contact Material: Phosphor Bronze.
 Insulator Material: Nylon 6T, Glass reinforced UL 94V-0.

HOW TO ORDER:

MAT[][D][R][][S[][D][P][][R]
1 2 3 4 5 6 7 8

- 1- Nr. of Ways
 Single Row: 1 to 40
 Double Row: 2 to 80
- 2- Row Version:
 (S)-Single Row
 (D)-Double Row
- 3- Pin Style
 (N)-90°
 (R)-180°
- 4- Terminal Plating:
 (E)-Sn
 (D)-FLASH Au
 (F)-0,38um Au
 (G)-0,76um Au
 (C)-0,38um Au/Sn
 (H)-0,76um Au/Sn
- 5- Profile (insulator height):
 (H)-7,1mm
 (A)-5,0mm
 (B)-8,4mm
 (C)-9,4mm
- 6- Peg Option:
 (P)- With Locating Peg
 ()- Without Locating Peg
- 7- Option:
 (T)- Tube Packing
 (R)- Reel Packing
 (C)- Cap+Tube
 (Q)- Cap+Reel
- 8- (R)RoHS Compliant



Recommended P.C.Board
 SMD Layout



MATRIX Tecnologia Ind. e Com. Ltda.

0.0±	SCALE	TITLE	DATE AUGUST 2007
0.00±	UNIT mm	2.54mm FEMALE HEADER HEIGHT 8,4mm SMT TYPE	APP. BY
0.000±		MATL	CHK. BY
		DWG. NO.	DR. BY DIEGO