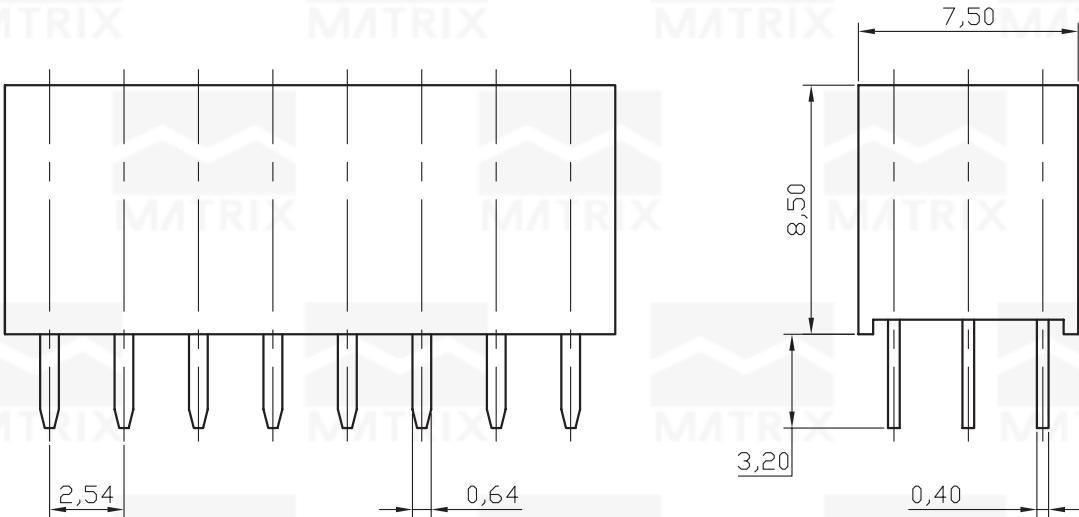


REV	ECN. NO.	APP	DATE
A	EDIÇÃO INICIAL		

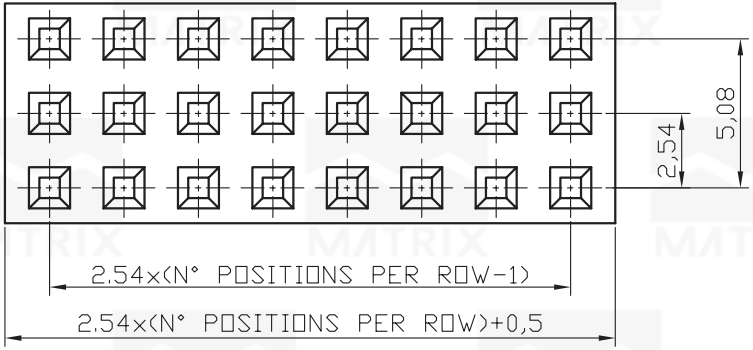


SPECIFICATIONS

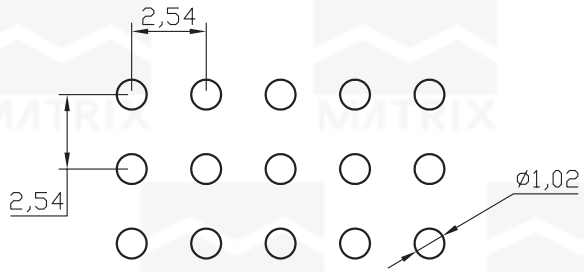
Currente Rating: 3Amps
 Insulator Resistance: 1000 Megaohms min.
 Contact Resistance: 20m ohms max.
 Dielectric Withstanding: 600V AC/DC
 Operating Temperature: -40°C to 105°C

MATERIALS

Contact Material: Phosphor Bronze
 Insulation Material: Polyester, UL 94V-0 P.B.T



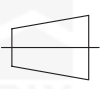


Recommended P.C.Board Hole Layout



HOW TO ORDER:
MAT-[]-[T]-[R]-[]-S-P8.5-[]

- | | | | | |
|------------------------------------|--------------------------------|----------------------------------|---|-------------------|
| 1 | 2 | 3 | 4 | 5 |
| Nr. of Ways
Triple Row: 9 to 96 | Row Version:
(T)-Triple Row | Pin Style
(N)-90°
(R)-180° | Terminal Plating:
(E)-Sn
(D)-FLASH Au
(F)-0,38um Au
(G)-0,76um Au
(C)-0,38um Au/Sn
(H)-0,76um Au/Sn | (R)RoHS Compliant |

 MATRIX Tecnologia Ind. e Com. Ltda.			
0.0±	SCALE	TITLE	DATE JUNE 2007
0.00±	UNIT mm	2.54mm FEMALE HEADER	APP. BY
0.000±		TRIPLE ROW 180° H=8.5mm	
		MATL	CHK. BY
		DWG. NO.	DR. BY DIEGO