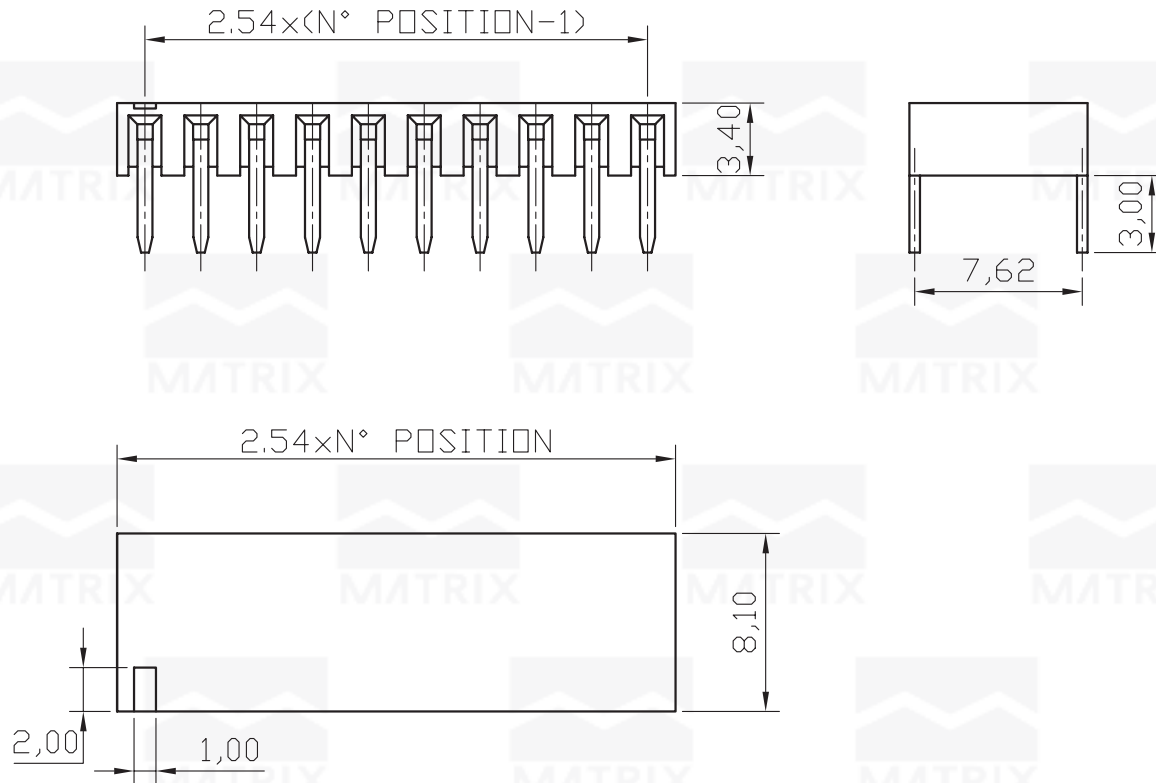


REV	ECN. NO.	APP	DATE
A	EDIÇÃO INICIAL		

MATERIAL
 Insulator - PBT(UL 94V-0)
 Contact - Copper Alloy

SPECIFICATION
 Current Rating: 1Amp DC
 Contact Resistance: 30Milliohm min.
 Dielectric Voltage: 500V AC for One Minute
 Operatint Temperature: -40°C to 105°C



HOW TO ORDER: MAT-[]-[S]-[R]-[]-S-P3.4-[]

- | | |
|--|--|
| 1- Nr. of Ways
Single Row: 1 to 40
Double Row: 2 to 80 | 4- Terminal Plating:
(E)-Sn
(D)-FLASH Au
(F)-0,38um Au
(G)-0,76um Au
(C)-0,38um Au/Sn
(H)-0,76um Au/Sn |
| 2- Row Version:
(S)-Single Row
(D)-Double Row | 5- (R) RoHS Compliant |
| 3- Pin Style
(N)-90°
(R)-180° | |



MATRIX Tecnologia Ind. e Com. Ltda.

UNIT mm	SCALE 3:1	TITLE 2.54mm FEMALE HEADER SIDE ENTRY SINGLE ROW H=3.4mm	DATE JULY 2007
TOLERANCE: ±0.25			APP. BY
		MATL	CHK. BY
		DWG. NO.	DR. BY DIEGO