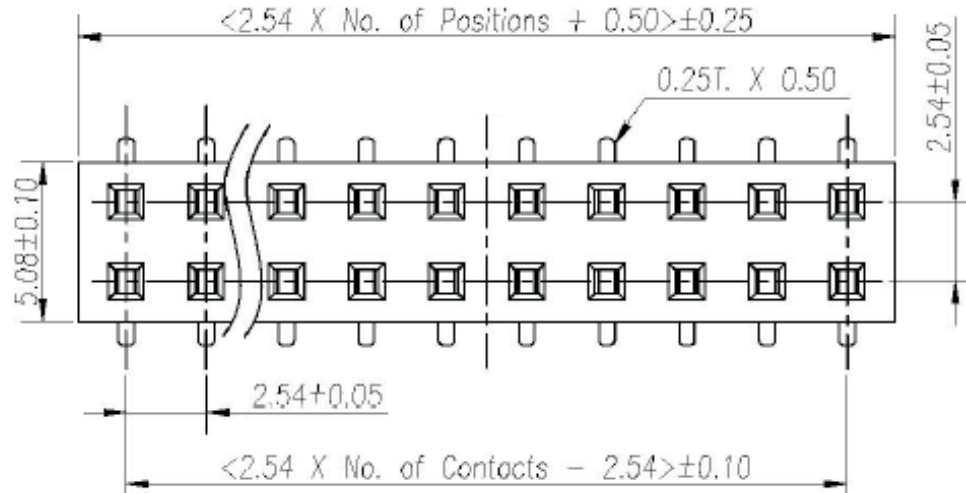
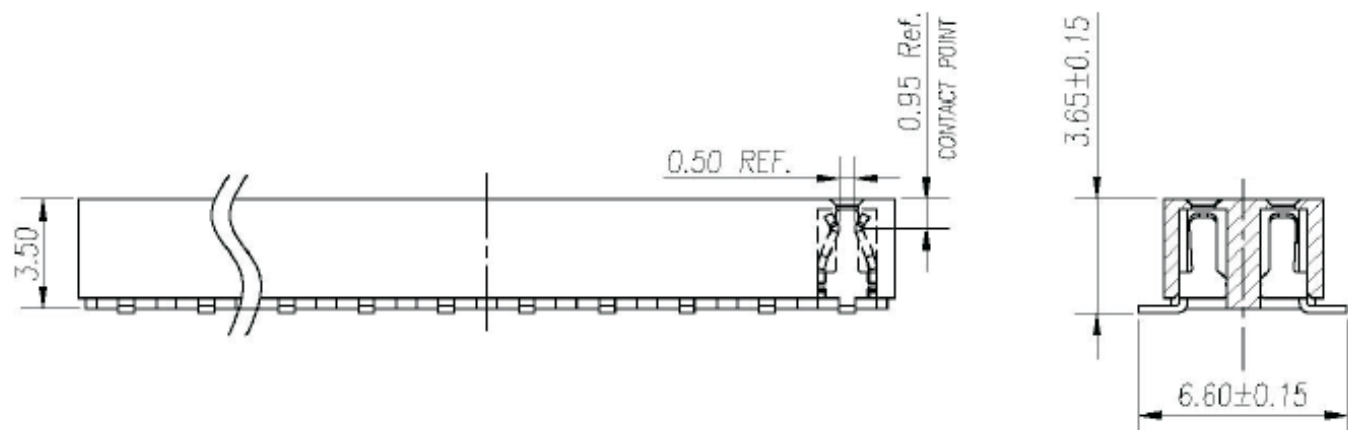


REV	ECN. NO.	APP	DATE
A	EDIÇÃO INICIAL		

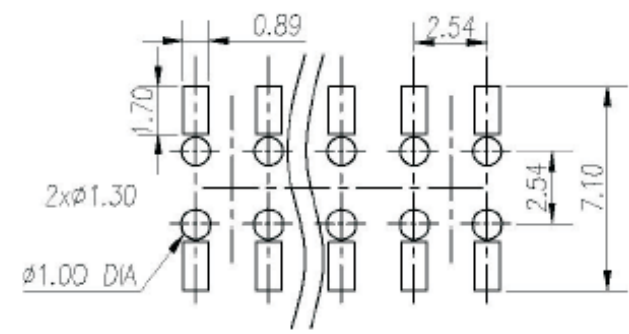


### HOW TO ORDER: MAT[ ][D][R][ ]S[J]D[ ][R]

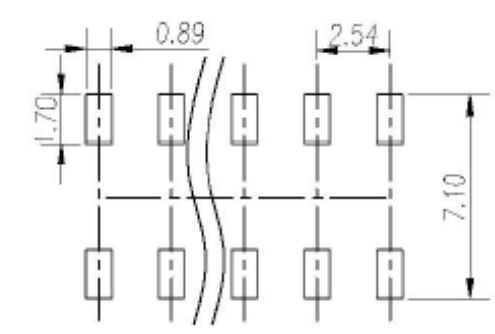
1 2 3 4 5 6 7

- |  |   |
|--|---|
| 1- Nr. of Ways<br>Double Row: 2 to 80  | 5- Profile:<br>(J)-3,50mm   |
| 2- Row Version:<br>(D)-Double Row  | 6- Options:<br>(T)-Tube Packing<br>(R)-Reel Packing<br>(C)-Cap + Tube<br>(Q)-Cap + Reel<br>(Y)-With Locating Peg (Tube)<br>(I)-With Locating Peg (Reel)<br>(P)-Peg + Cap + Tube<br>(E)-Peg + Cap + Reel |
| 3- Pin Style<br>(R)-180°   |   |
| 4- Terminal Plating:<br>(E)-Sn<br>(D)-FLASH Au<br>(F)-0,38um Au<br>(G)-0,76um Au<br>(C)-0,38um Au/Sn<br>(H)-0,76um Au/Sn | 7- (R) RoHS Compliant   |

RECOMMENDED P.C.B LAYOUT FOR BOTTOM ENTRY



RECOMMENDED P.C.B LAYOUT FOR TOP ENTRY



**MATRIX** **MATRIX Tecnologia Ind. e Com. Ltda.**

UNIT	SCALE	TITLE	DATE
mm		2.54mm FEMALE HEADER DUAL ROW H:3.5mm SMD	September 2007
TOLERANCE: ±0.25			APP. BY
		MATL	CHK. BY
		DWG. NO.	DR. BY Diego