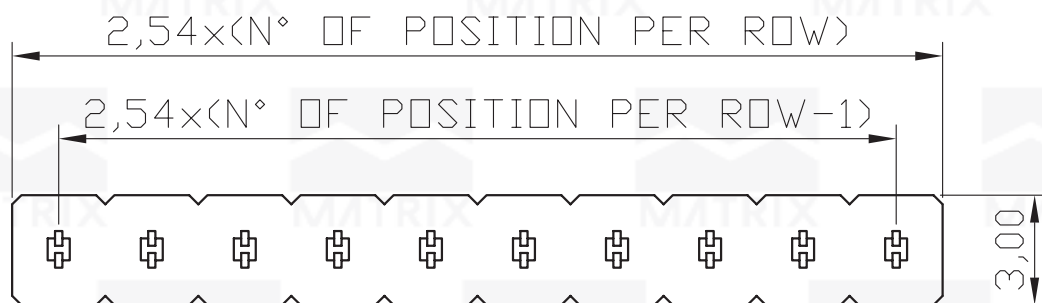
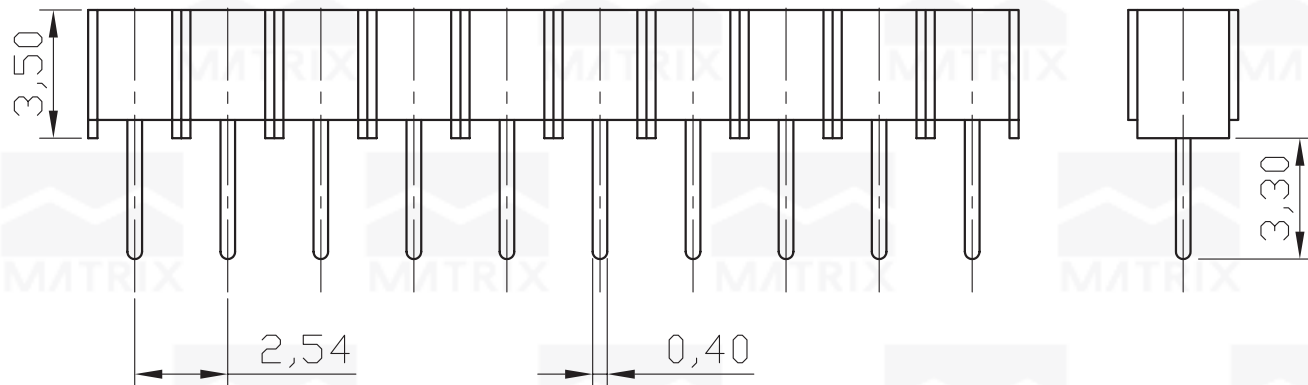


REV	ECN. NO.	APP	DATE
A	EDIÇÃO INICIAL		



MATERIAL
 Insulator - PBT(UL 94V-0)
 Contact- Copper Alloy

SPECIFICATION
 Currente Rating: 1Amp DC
 Contact Resistance: 30 Milliohm Max.
 Insulator Resistance: 1000 Megohm Min.
 Dielectric Voltage: 500V AC for One Minute
 Operating Temperature: -40°C to 105°C

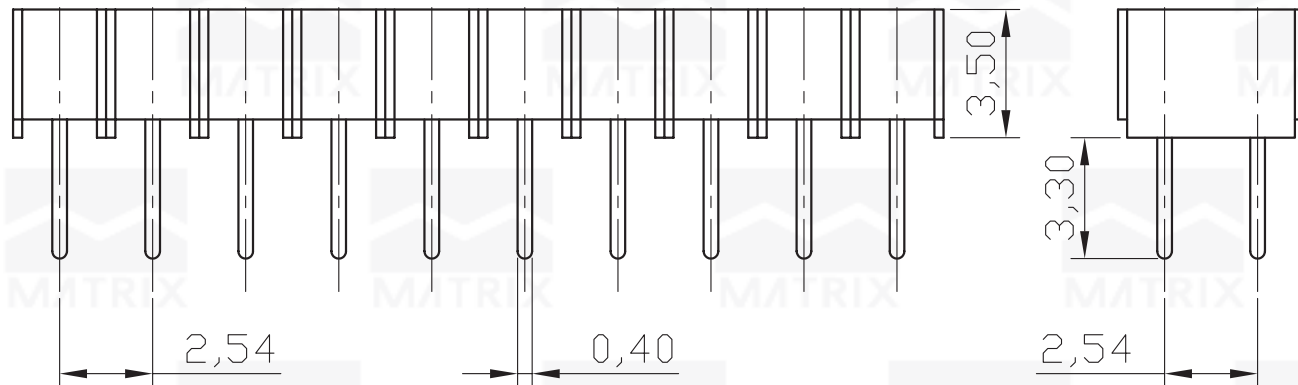
HOW TO ORDER:
MAT-[]-[S]-[R]-[]-S-P3.5-[]
1 2 3 4 5

- | | |
|--|--|
| 1- Nr. of Ways
Single Row: 1 to 40
Double Row: 2 to 80 | 4- Terminal Plating:
(E)-Sn
(D)-FLASH Au
(F)-0,38um Au
(G)-0,76um Au
(C)-0,38um Au/Sn
(H)-0,76um Au/Sn |
| 2- Row Version:
(S)-Single Row
(D)-Double Row | 5-(R) RoHS Compliant |
| 3- Pin Style
(R)-180° | |

MATRIX **MATRIX Tecnologia Ind. e Com. Ltda.**

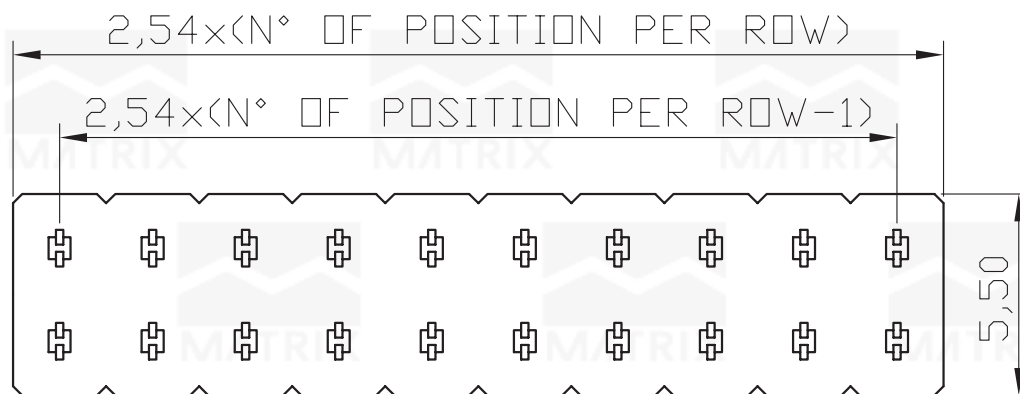
0.0±	SCALE	TITLE 2.54mm FEMALE HEADER H=3.5mm WAVY TYPE	DATE	JUNE 2007
0.00±			APP. BY	
0.000±			UNIT	mm
	MATL	CHK. BY		
	DWG. NO.	DR. BY	DIEGO	

REV/	ECN. NO.	APP	DATE
A	EDIÇÃO INICIAL		



MATERIAL
 Insulator - PBT(UL 94V-0)
 Contact- Copper Alloy

SPECIFICATION
 Currente Rating: 1Amp DC
 Contact Resistance: 30 Milliohm Max.
 Insulator Resistance: 1000 Megohm Min.
 Dielectric Voltage: 500V AC for One Minute
 Operating Temperature: -40°C to 105°C



HOW TO ORDER:
MAT-[]-[D]-[R]-[]-[S]-P3.5-[]
1 2 3 4 5

- 1- Nr. of Ways
 Single Row: 1 to 50
 Double Row: 2 to 100
- 2- Row Version:
 (S)-Single Row
 (D)-Double Row
- 3- Pin Style
 (R)-180°
- 4- Terminal Plating:
 (E)-Sn
 (D)-FLASH Au
 (F)-0,38um Au
 (G)-0,76um Au
 (C)-0,38um Au/Sn
 (H)-0,76um Au/Sn
- 5-(R) RoHS Compliant



MATRIX Tecnologia Ind. e Com. Ltda.

0.0±	SCALE	TITLE 2.5mm FEMALE HEADER H=3.5mm WAVY TYPE	DATE	JUNE 2007
0.00±			APP. BY	
0.000±			UNIT	mm
		MATL	CHK. BY	
		DWG. NO.	DR. BY	DIEGO