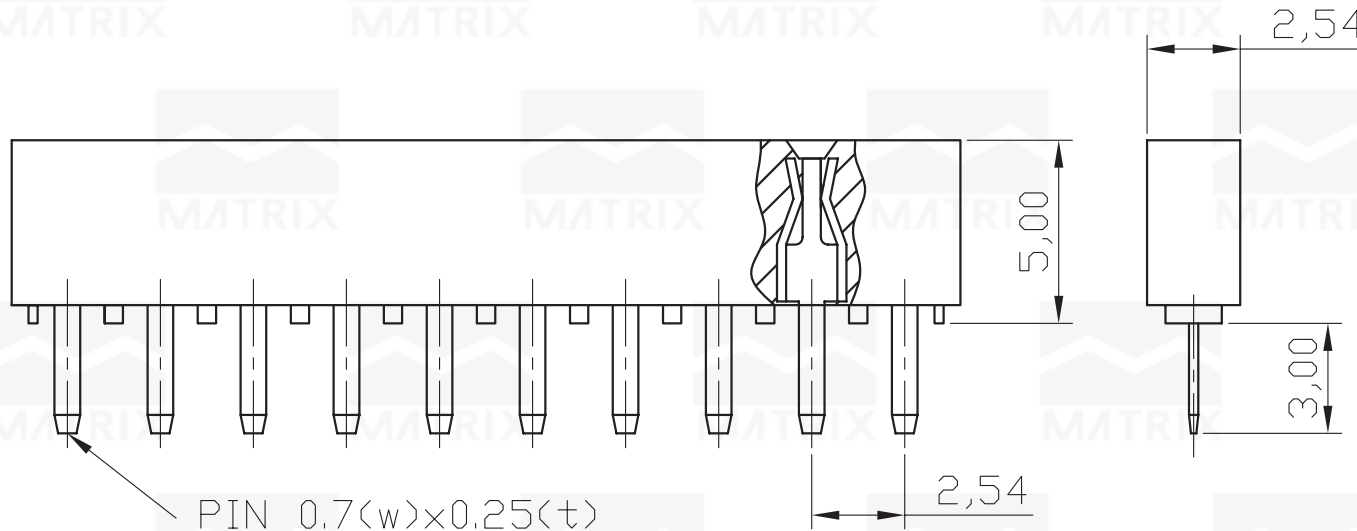
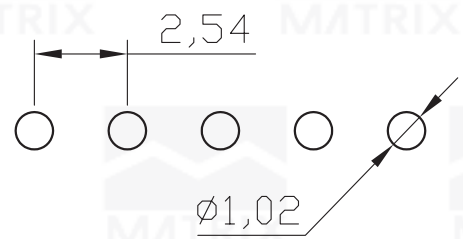
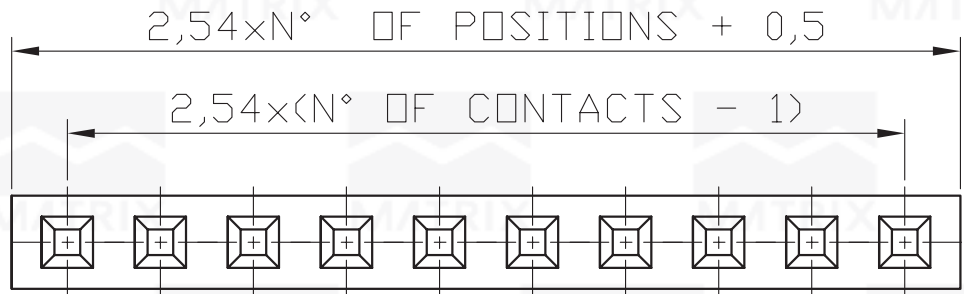


REV	ECN. NO.	APP	DATE
A	EDIÇÃO INICIAL		




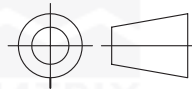
SPECIFICATION
 Current Rate: 3Amp
 Insulation resistance: 5000Megohms min.
 Contact Resistance: 20 Milliohms max.
 Dielectric Whithstanding: AC 500V
 Operation Temperature: -40°C to +105°C
 Contact Material: Phosphor Bronze
 Insulator Material: Polyester, UL 94V-0
 Standard: P.B.T
 Contact Plated: Full gold, Full Tin,
 Selective Plated
 Standard: Gold Flash all Over Nickel



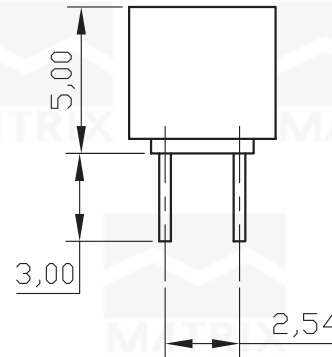
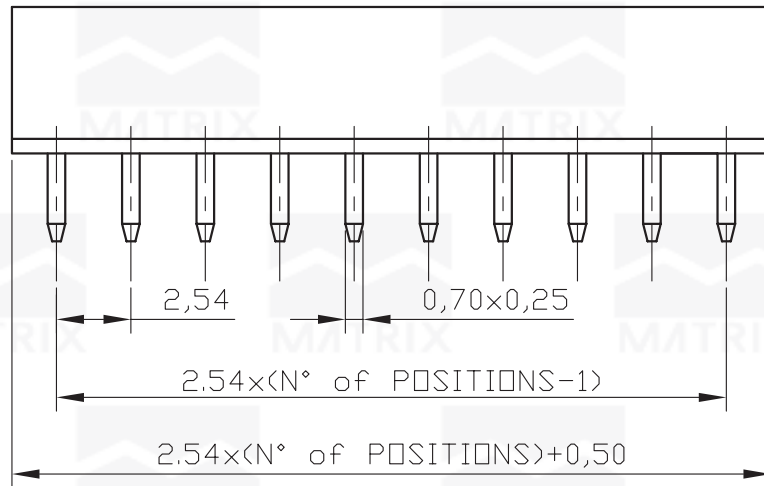
P.C.B. LAYOUT

HOW TO ORDER:
MAT-[]-[S]-[R]-[]-S-P5,0-[]
 1 2 3 4 5

- 1- Nr. of Ways
 Single Row: 1 to 40
 Double Row: 2 to 80
- 2- Row Version:
 (S)-Single Row
 (D)-Double Row
- 3- Pin Style
 (N)-90°
 (R)-180°
- 4- Terminal Plating:
 (E)-Sn
 (D)-FLASH Au
 (F)-0,38um Au
 (G)-0,76um Au
 (C)-0,38um Au/Sn
 (H)-0,76um Au/Sn
- 5- (R)RoHS Compliant

 MATRIX Tecnologia Ind. e Com. Ltda.			
UNIT mm	SCALE 5:1	TITLE 2.54mm FEMALE HEADER HEIGHT 5,0mm 180°	DATE JULY 2007
TOLERANCE: ±0.25			APP. BY
		MATL	CHK. BY
		DWG. NO.	DR. BY DIEGO

REV	ECN. NO.	APP	DATE
B	MELHORIAS NO ASPECTO VISUAL		

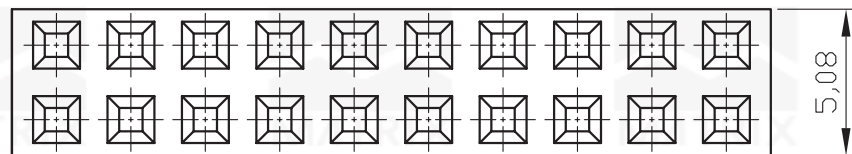


SPECIFICATIONS

Current Rating: 3Amps
 Insulation Resistance: 5000MΩ Min.
 Dielectric Withstanding: 500V AC
 Contact Resistance: 20mΩ Max.
 Operating Temperature: -40°C to 105°C

MATERIALS

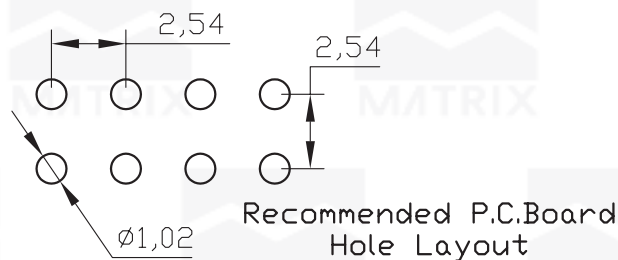
Contact Material: Phosphor Bronze
 Insulation Material: Polyester, UL 94V-0 P.B.T



HOW TO ORDER: MAT-[]-[D]-[R]-[]-A-P5.0-[]

1 2 3 4 5

- | | |
|---------------------------------------|--|
| 1- Nr. of Ways
Double Row: 2 to 80 | 4- Terminal Plating:
(E)-Sn
(D)-FLASH Au
(F)-0,38um Au
(G)-0,76um Au
(C)-0,38um Au/Sn
(H)-0,76um Au/Sn |
| 2- Row Version:
(D)-Double Row | 5- (R)RoHS Compliant |
| 3- Pin Style
(R)-180° | |



MATRIX Tecnologia Ind. e Com. Ltda.

UNIT mm	SCALE 4:1	TITLE 2:54mm FEMALE HEADER HEIGHT 5.0mm 180°	DATE JULY 2007
TOLERANCE: ±0.25			APP. BY
		MATL	CHK. BY
		DWG. NO.	DR. BY DIEGO