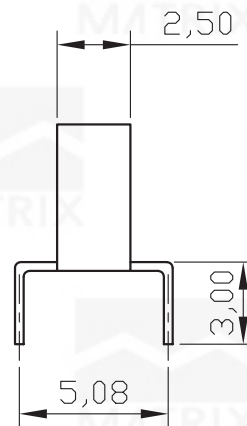
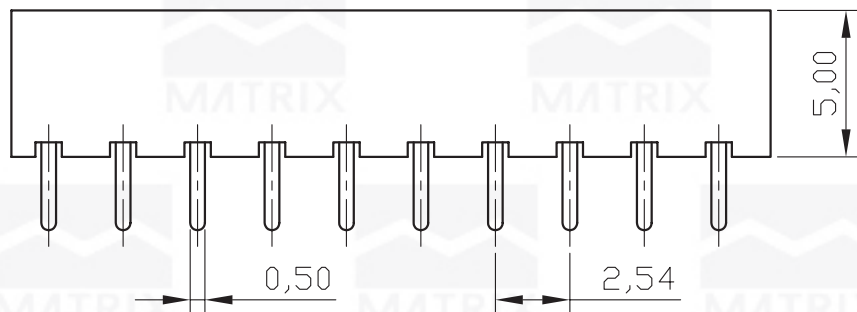


REV/	ECN. NO.	APP	DATE
A	EDIÇÃO INICIAL		



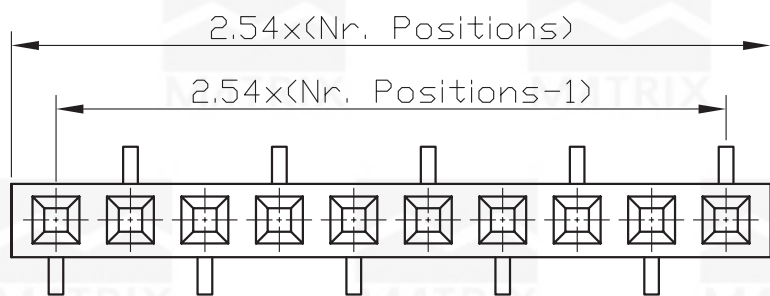
**SPECIFICATIONS**

Electric

Current Rating: 1Amp DC  
 Contact Resistance: 30milliohm Max.  
 Insulation Resistance: 1000Megohm Min.  
 Dielectric Withstanding Voltage: 500V AC/Minute  
 Operating Temperature: -40°C to 105°C

Material

Insulator: PBT(UL94V-0)  
 Contact: Copper Alloy

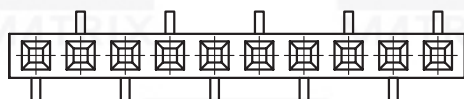


**HOW TO ORDER:**  
**MAT-[ ]-[S]-[R]-[ ]-D-P5-[ ]-[ ]**

**1 2 3 4 5 6**

- 1- Nr. of Ways  
 Single Row: 1 to 40  
 Double Row: 2 to 80
- 2- Row Version:  
 (S)-Single Row  
 (D)-Double Row
- 3- Pin Style  
 (R)-180°
- 4- Terminal Plating:  
 (E)-Sn  
 (D)-FLASH Au  
 (F)-0,38um Au  
 (G)-0,76um Au  
 (C)-0,38um Au/Sn  
 (H)-0,76um Au/Sn
- 5- Layout Pin  
 A or B
- 6- (R) RoHS Compliant

Layout Pin



Type A



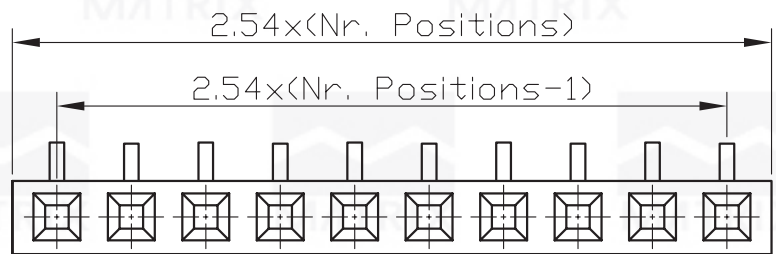
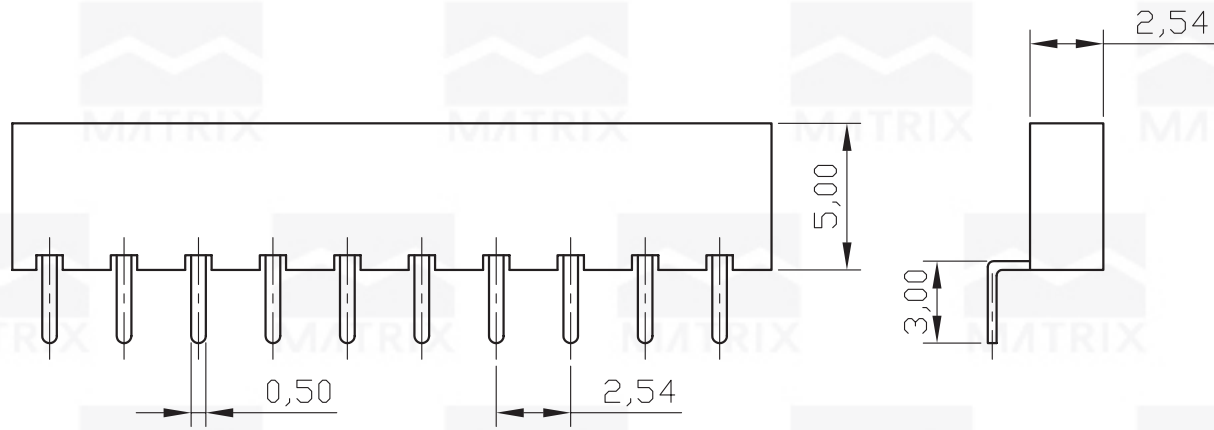
Type B



**MATRIX Tecnologia Ind. e Com. Ltda.**

UNIT mm	SCALE 4:1	TITLE 2.54mm FEMALE HEADER 180° DUAL ENTRY TYPE HEIGHT 5.0mm	DATE JULY 2007
TOLERANCE: ±0.25			APP. BY
		MATL	CHK. BY
		DWG. NO.	DR. BY DIEGO

REV	ECN. NO.	APP	DATE
A	EDIÇÃO INICIAL		



**SPECIFICATIONS**

Electric  
 Current Rating: 1Amp DC  
 Contact Resistance: 30milliohm Max.  
 Insulation Resistance: 1000Megohm Min.  
 Dielectric Withstanding Voltage: 500V AC/Minute  
 Operating Temperature: -40°C to 105°C

**Material**

Insulator: PBT(UL94V-0)  
 Contact: Copper Alloy

**HOW TO ORDER:  
 MAT-[ ]-[S]-[R]-[ ]-D-P5-C-[ ]**

- |  |   |                          |  |                       |
|--|---|--------------------------|--|-----------------------|
| <b>1</b>   | <b>2</b>  | <b>3</b>                 | <b>4</b>   | <b>5</b>              |
| 1- Nr. of Ways<br>Single Row: 1 to 40<br>Double Row: 2 to 80 | 2- Row Version:<br>(S)-Single Row<br>(D)-Double Row | 3- Pin Style<br>(R)-180° | 4- Terminal Plating:<br>(E)-Sn<br>(D)-FLASH Au<br>(F)-0,38um Au<br>(G)-0,76um Au<br>(C)-0,38um Au/Sn<br>(H)-0,76um Au/Sn | 5- (R) RoHS Compliant |

		<b>MATRIX Tecnologia Ind. e Com. Ltda.</b>	
UNIT mm	SCALE 4:1	TITLE 2.54mm FEMALE HEADER 180° TYPE C HEIGHT 5.0mm	DATE NOVEMBER 2007
TOLERANCE: ±0.25			APP. BY
		MATL	CHK. BY
		DWG. NO.	DR. BY DIEGO