

REV	ECN. NO.	APP	DATE
A	EDIÇÃO INICIAL		

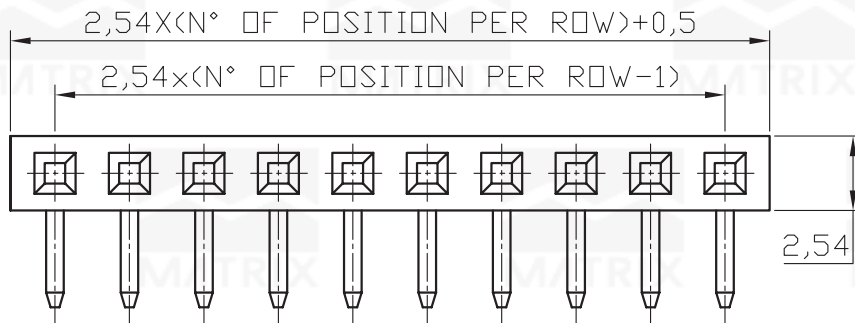
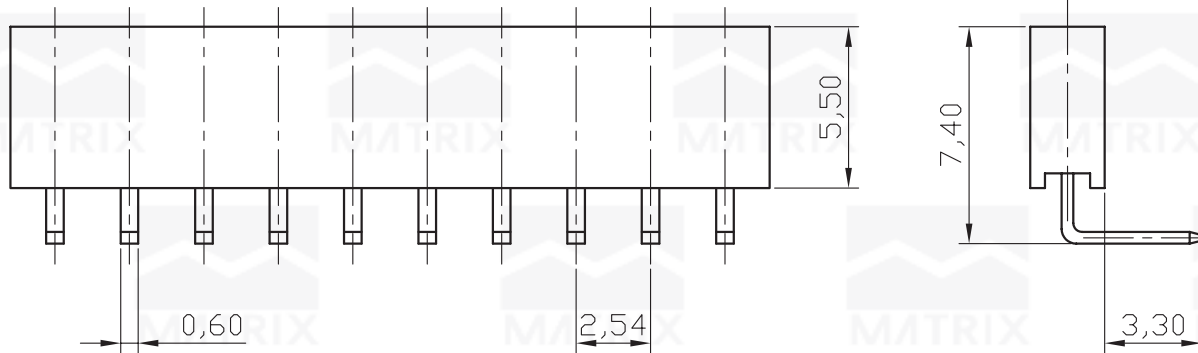
**SPECIFICATIONS**

**Material**

Insulator: PBT, Glass Reinforced, Rated UL 94V-0  
 Contact: Phaspor Bronze

**Electrical**


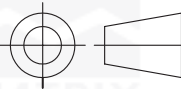
Currente Rating: 1Amp  
 Contact Resistance: 30mΩ max.  
 Insulation Resistance: 3000MΩ min.  
 Dielectric Withstanding Voltage: 500V/AC for 1 Minute  
 Operating Temperature: -40°C to +105°C



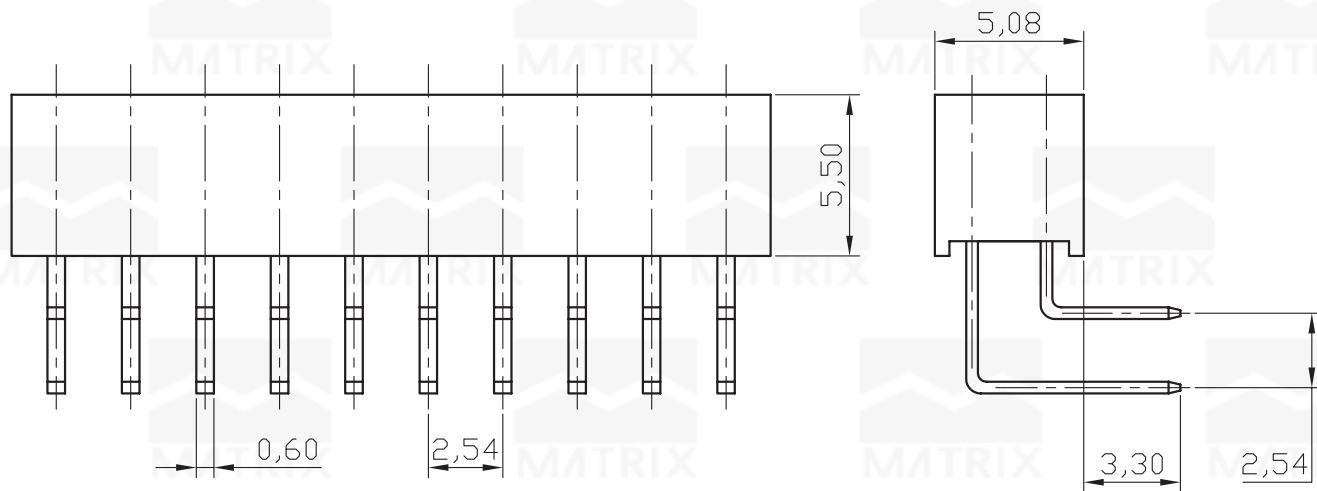
**HOW TO ORDER:**  
**MAT-[ ]-[S]-[N]-[ ]-S-P5.5-[ ]**

**1 2 3 4 5**

- |  |  |
|--|--|
| 1- Nr. of Ways<br>Single Row: 1 to 40<br>Double Row: 2 to 80 | 4- Terminal Plating:<br>(E)-Sn<br>(D)-FLASH Au<br>(F)-0,38μm Au<br>(G)-0,76μm Au<br>(C)-0,38μm Au/Sn<br>(H)-0,76μm Au/Sn |
| 2- Row Version:<br>(S)-Single Row<br>(D)-Double Row          | 5- (R)RoHS Compliant   |
| 3- Pin Style<br>(N)-90°<br>(R)-180°                          |  |

 <b>MATRIX Tecnologia Ind. e Com. Ltda.</b>			
UNIT mm	SCALE 4:1	TITLE FEMALE HEADER 2.54mm HEIGHT 5.5mm SINGLE ROW 90°	DATE JULY 2007
TOLERANCE: ±0.25			APP. BY
		MATL	CHK. BY
		DWG. NO.	DR. BY DIEGO

REV/	ECN. NO.	APP	DATE
A	EDIÇÃO INICIAL		



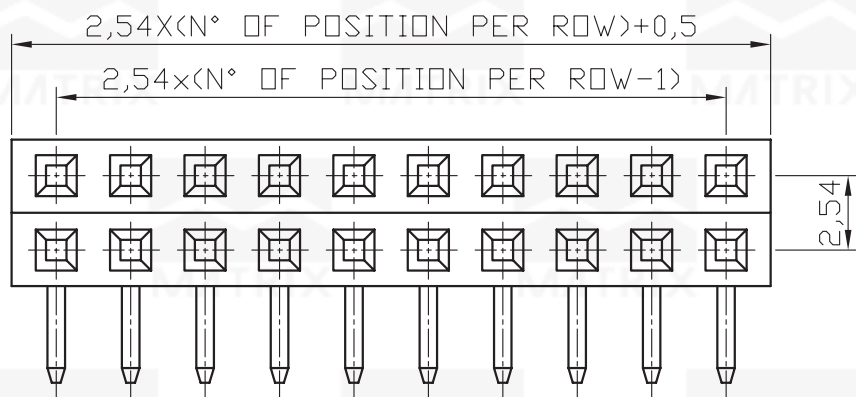
### SPECIFICATIONS

#### Material

Insulator: PBT, Glass Reinforced, Rated UL 94V-0  
Contact: Phaspor Bronze

#### Electrical

Current Rating: 1Amp  
Contact Resistance: 30mΩ max.  
Insulation Resistance: 3000MΩ min.  
Dielectric Withstanding Voltage: 500V/AC for 1 Minute  
Operating Temperature: -40°C to +105°C



### HOW TO ORDER: MAT-[ ]-[D]-[N]-[ ]-S-P5.5-[ ]

1 2 3 4 5

- |  |  |
|--|--|
| 1- Nr. of Ways<br>Single Row: 1 to 40<br>Double Row: 2 to 80 | 4- Terminal Plating:<br>(E)-Sn<br>(D)-FLASH Au<br>(F)-0,38um Au<br>(G)-0,76um Au<br>(C)-0,38um Au/Sn<br>(H)-0,76um Au/Sn |
| 2- Row Version:<br>(S)-Single Row<br>(D)-Double Row          | 5- (R)RoHS Compliant   |
| 3- Pin Style<br>(N)-90°<br>(R)-180°                          |  |



**MATRIX Tecnologia Ind. e Com. Ltda.**

UNIT mm	SCALE 4:1	TITLE FEMALE HEADER 2.54mm HEIGHT 5.5mm DUAL ROW 90°	DATE JULY 2007
TOLERANCE: ±0.25			APP. BY
		MATL	CHK. BY
		DWG. NO.	DR. BY DIEGO