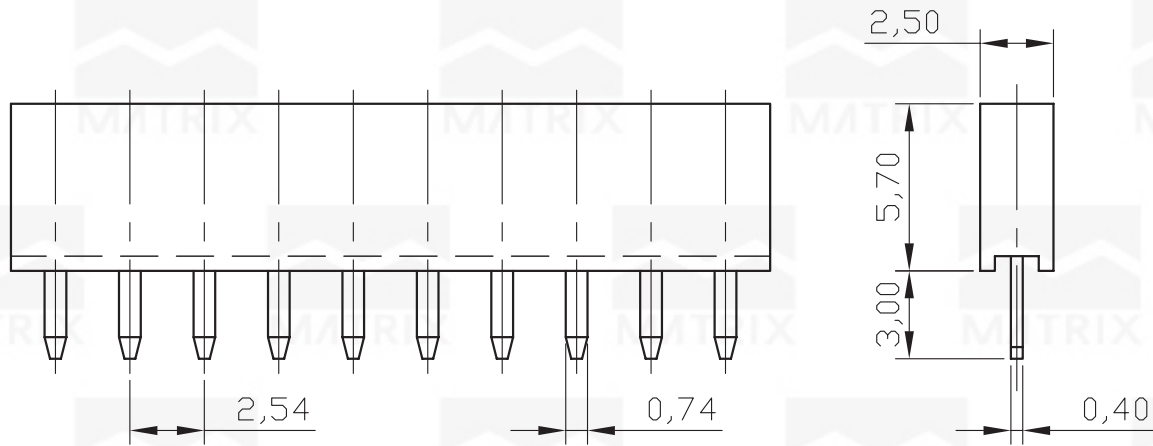


REV	ECN. NO.	APP	DATE
A	EDIÇÃO INICIAL		

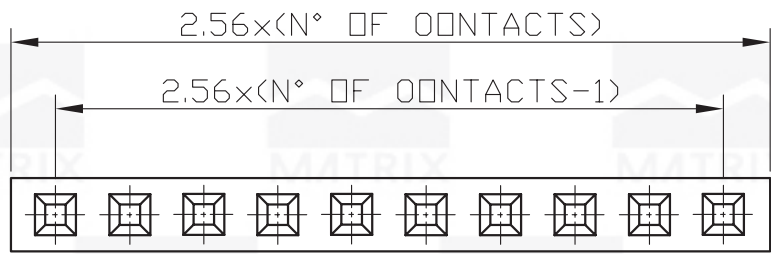


SPECIFICATIONS

Current Rating: 3Amp
 Contact Resistance: 20mΩ Max.
 Insulation Resistance: 500MΩ Min.
 Dielectric Withstanding: 600VAC
 Operating Temperature: -40 to 105°C

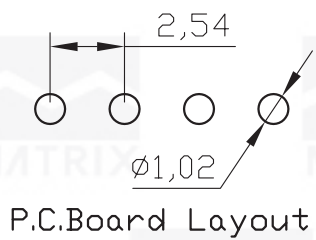
MATERIAL

Contact Material: Copper Alloy
 Contact Plating: Gold/Tin over Nickel
 Insulator: Glass Filled Polyester (UL 94V-0)



HOW TO ORDER:
MAT-[]-[S]-[R]-[]-S-P5.7-[]
1 2 3 4 5

- 1- Nr. of Ways
 Single Row: 1 to 40
 Double Row: 2 to 80
- 2- Row Version:
 (S)-Single Row
 (D)-Double Row
- 3- Pin Style
 (N)-90°
 (R)-180°
- 4- Terminal Plating:
 (E)-Sn
 (D)-FLASH Au
 (F)-0,38um Au
 (G)-0,76um Au
 (C)-0,38um Au/Sn
 (H)-0,76um Au/Sn
- 5- (R)RoHS Compliant



		MATRIX Tecnologia Ind. e Com. Ltda.		
				UNIT mm
TOLERANCE: ±0.25		HEIGHT 5.7mm SINGLE ROW 180°		APP. BY
		MATL	CHK. BY	
		DWG. NO.	DR. BY DIEGO	