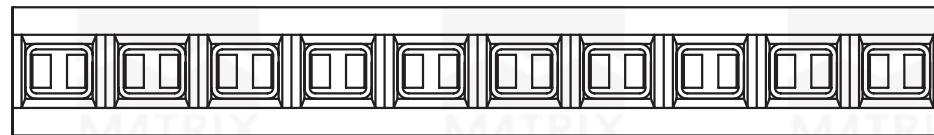
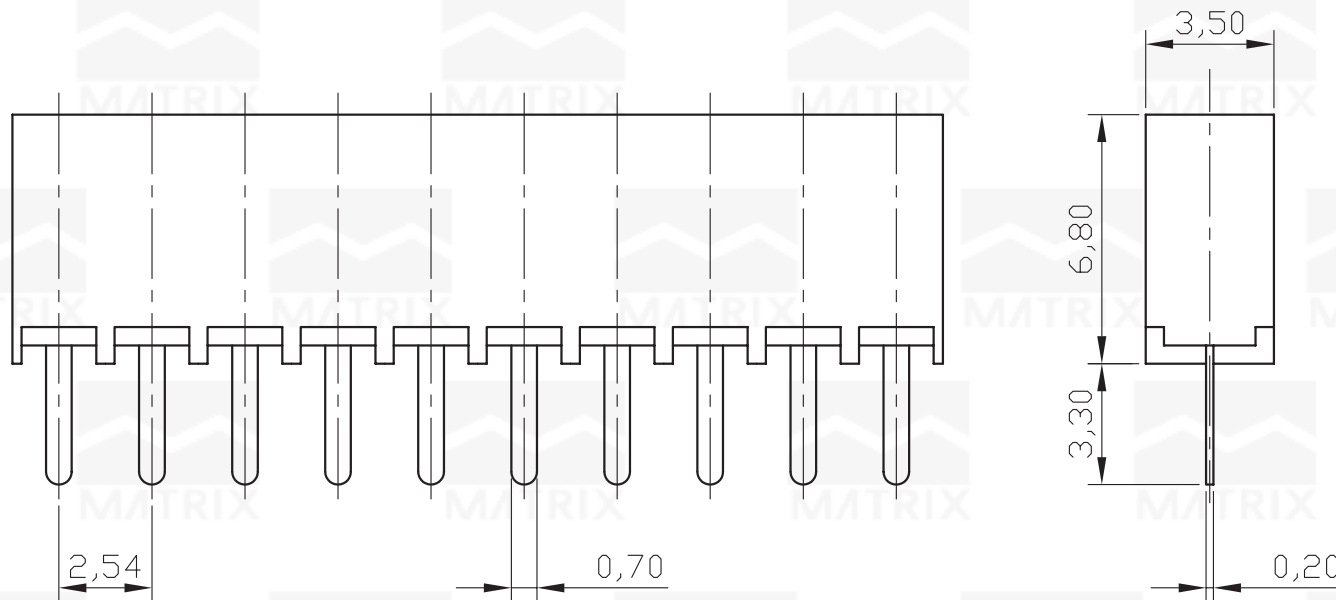


REV/	ECN. NO.	APP	DATE
A	EDIÇÃO INICIAL		



**HOW TO ORDER:  
MAT-[ ]-[S]-[R]-[ ]-S-P6.8-[ ]**

**1 2 3 4 5**

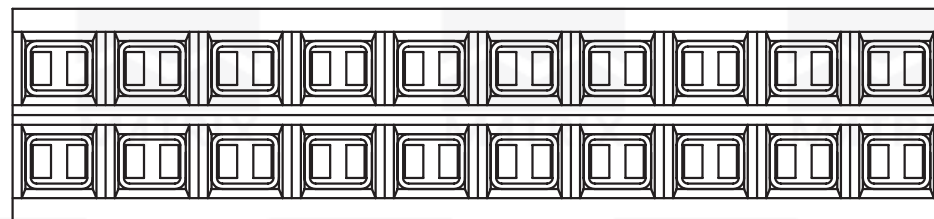
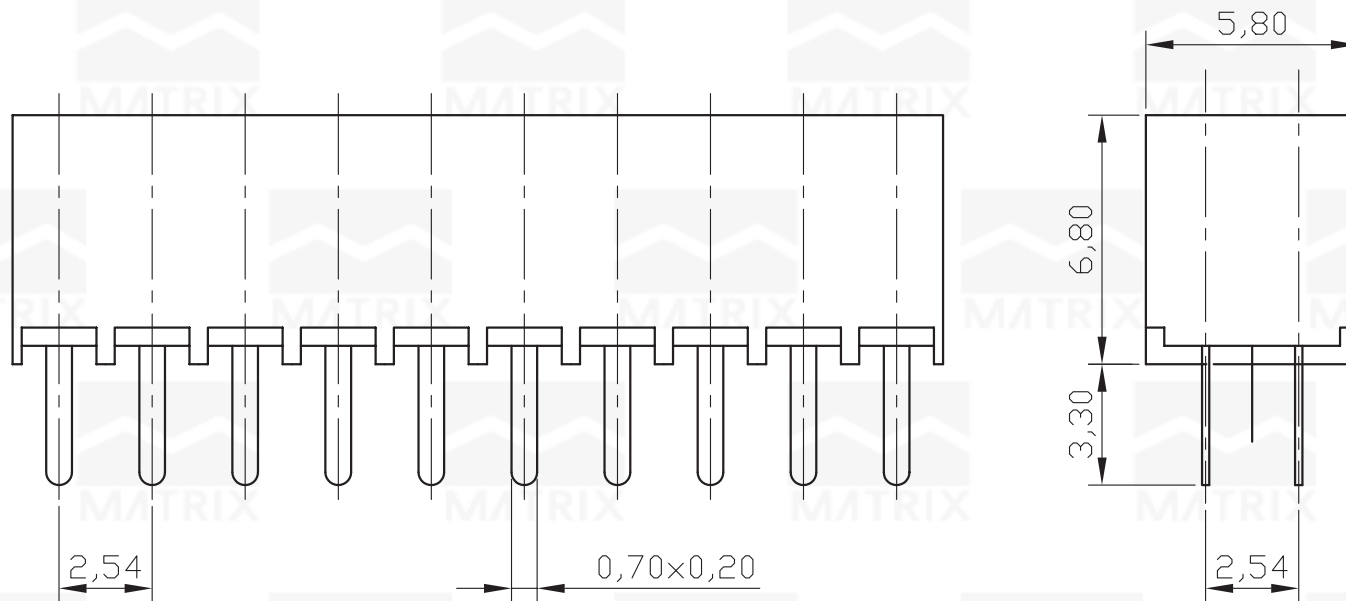
- 1- Nr. of Ways  
Single Row: 1 to 40  
Double Row: 2 to 80
- 2- Row Version:  
(S)-Single Row  
(D)-Double Row
- 3- Pin Style  
(N)-90°  
(R)-180°
- 4- Terminal Plating:  
(E)-Sn  
(D)-FLASH Au  
(F)-0,38um Au  
(G)-0,76um Au  
(C)-0,38um Au/Sn  
(H)-0,76um Au/Sn
- 5- (R)RoHS Compliant



**MATRIX Tecnologia Ind. e Com. Ltda.**

UNIT mm	SCALE 5:1	TITLE 2,54mm FEMALE HEADER SINGLE ROW HEIGHT 6,8mm 180°	DATE JULY 2007
TOLERANCE: ±0.25			APP. BY
		MATL	CHK. BY
		DWG. NO.	DR. BY DIEGO

REV	ECN. NO.	APP	DATE
A	EDIÇÃO INICIAL		

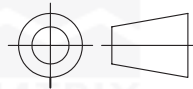


**HOW TO ORDER:**  
**MAT-[ ]-[D]-[R]-[ ]-[S]-P6.8-[ ]**  
**1 2 3 4 5**

- 1- Nr. of Ways  
 Single Row: 1 to 40  
 Double Row: 2 to 80
- 2- Row Version:  
 (S)-Single Row  
 (D)-Double Row
- 3- Pin Style  
 (N)-90°  
 (R)-180°
- 4- Terminal Plating:  
 (E)-Sn  
 (D)-FLASH Au  
 (F)-0,38um Au  
 (G)-0,76um Au  
 (C)-0,38um Au/Sn  
 (H)-0,76um Au/Sn
- 5- (R)RoHS Compliant



**MATRIX Tecnologia Ind. e Com. Ltda.**

UNIT mm	SCALE 5:1	TITLE 2.54mm FEMALE HEADER DUAL ROW HEIGHT 6.8mm 180°	DATE JULY 2007
TOLERANCE: ±0.25			APP. BY
		MATL	CHK. BY
		DWG. NO.	DR. BY DIEGO