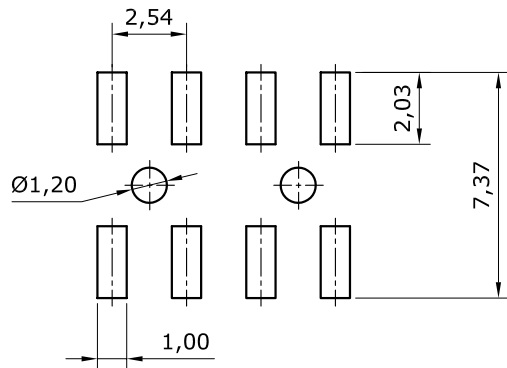
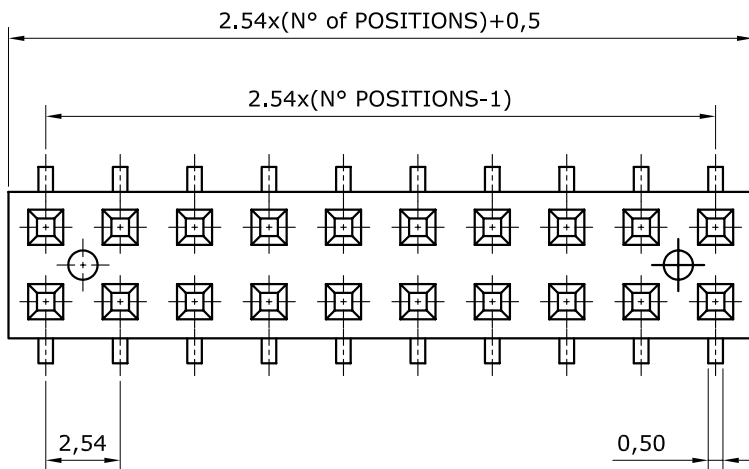
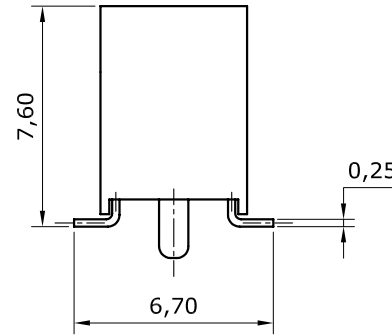
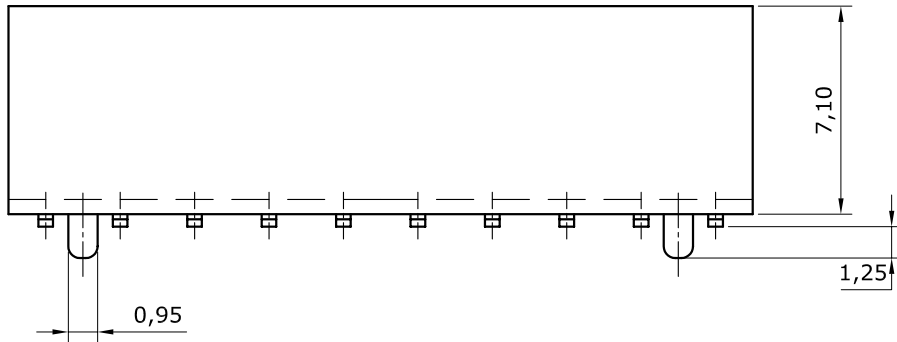


REV/	ECN. NO.	APP	DATE
A	EDIÇÃO INICIAL		



Recommended P.C.Board SMD
Layout

SPECIFICATIONS

Current Rating: 1Amp.
 Insulator Resistance: 3000Megohms min.
 Contact Resistance: 30m ohms max.
 Dielectric Withstanding: 500V AC.
 Operating Temperature: -40°C to 105°C.
 Contact Material: Phosphor Bronze.
 Insulator Material: Nylon 6T, Glass reinforced UL 94V-0.

HOW TO ORDER:

MAT-[]-[D]-[R]-[]-[S]-SMD-P7.1-[P]-[C]-[R]
1 2 3 4 5 6 7

- 1- Nr. of Ways
 Single Row 1 to 40
 Double Row: 2 to 80
- 2- Row Version:
 (S)-Single Row
 (D)-Double Row
- 3- Pin Style
 (N)-90°
 (R)-180°
- 4- Terminal Plating:
 (E)-Sn
 (D)-FLASH Au
 (F)-0,38um Au
- (G)-0,76um Au
 (C)-0,38um Au/Sn
 (H)-0,76um Au/Sn
- 5-Option Peg
 (P)- With Peg
 ()- Without Peg
- 6-Option Cap
 (C)- With Cap
 ()- Without Cap
- 7-(R) RoHS Compliant



MATRIX TECNOLOGIA IND. E COM. LTDA.

UNIT	SCALE	TITLE	DATE
mm		2,54mm FEMALE HEADER H=7,1mm SMD W/LOCATION PEG	June 2009
TOLERANCE: ±0.25			APP. BY
		MATL	CHK. BY
		DWG. NO.	DR. BY Miller