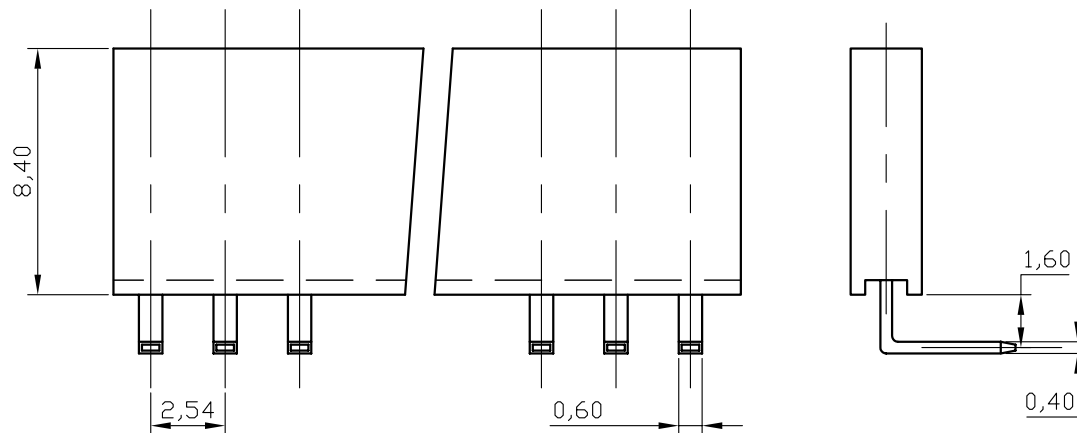


REV	ECN. NO.	APP	DATE
B	MELHORIA NO ASPECTO VISUAL		

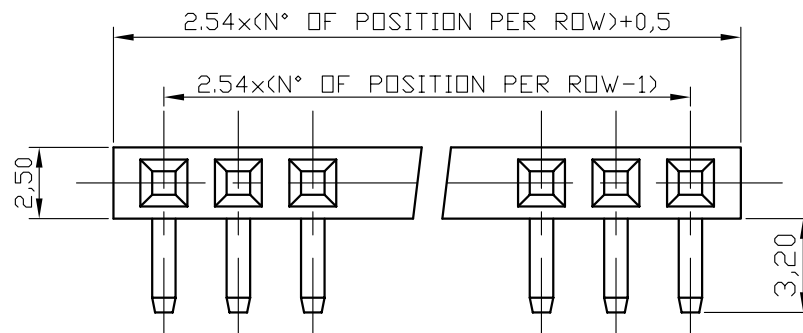


**SPECIFICATIONS**

Current Rating: 3Amp Max.  
 Withstanding Voltage: 1000V AC R.M.S /min  
 Insulation Resistance: 5000M ohms min.  
 AT 1000V DC  
 Contact Resistance: 30mΩ Max.  
 Operating Temperature: -55°C to +105°C

**MATERIAL & FINISH**

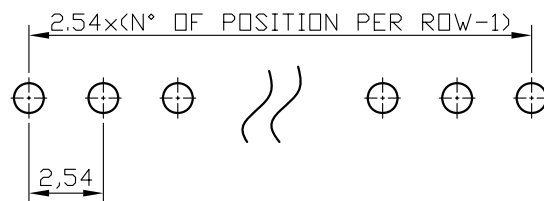
Housing: P.B.T (UL 94V-0)  
 Color Black  
 Terminal: Copper Alloy



**HOW TO ORDER:  
 MAT[ ][S][N][ ][S][R]**

**1 2 3 4 5**

- 1- Nr. of Ways  
 Single Row: 1 to 40  
 Double Row: 2 to 80
- 2- Row Version:  
 (S)-Single Row  
 (D)-Double Row
- 3- Pin Style  
 (N)-90°  
 (R)-180°
- 4- Terminal Plating:  
 (E)-Sn  
 (D)-FLASH Au  
 (F)-0,38um Au  
 (G)-0,76um Au  
 (C)-0,38um Au/Sn  
 (H)-0,76um Au/Sn
- 5-(R) RoHS Compliant



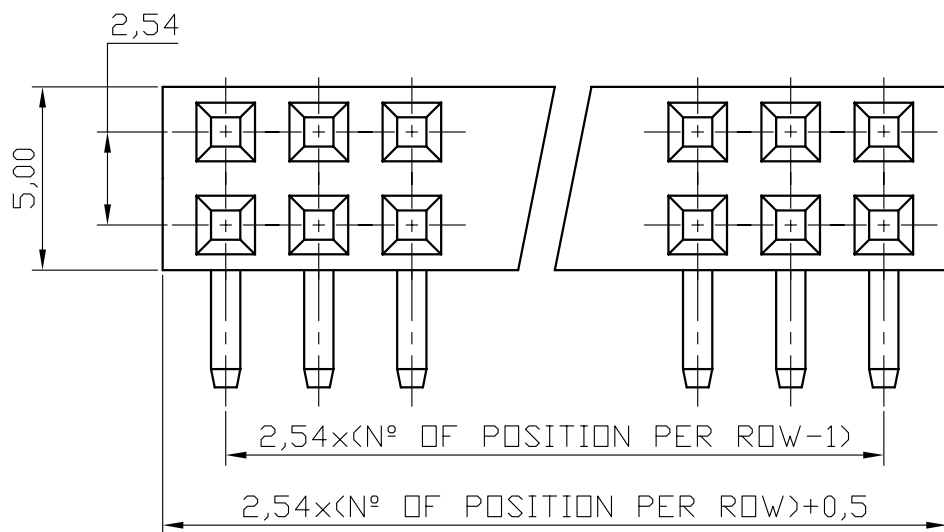
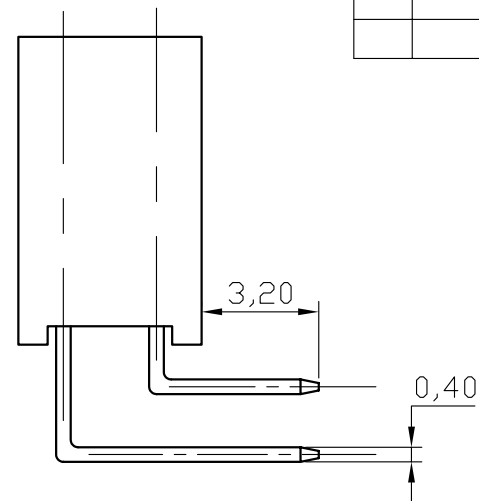
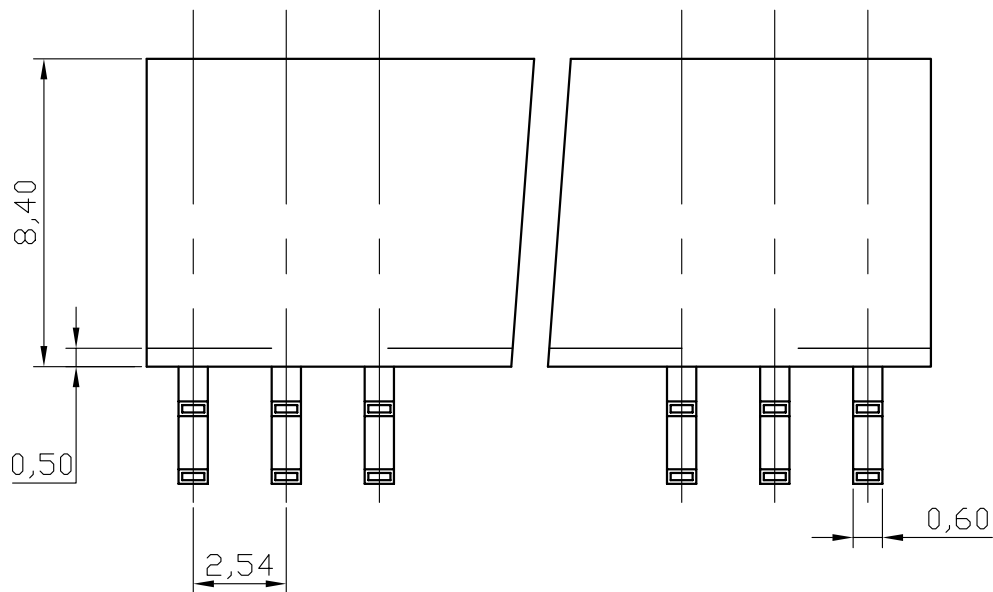
RECOMMEND P.C.B. LAYOUT  
 BOTTOM VIEW



**MATRIX Tecnologia Ind. e Com. Ltda.**

0.0±	SCALE	TITLE	DATE
0.00±	UNIT mm	2.54mm FEMALE HEADER	JUNE 2007
0.000±		SINGLE ROW H=8.4mm 90°	APP. BY
		MATL	CHK. BY
		DWG. NO.	DR. BY DIEGO

REV	ECN. NO.	APP	DATE
A	EDIÇÃO INICIAL		



## HOW TO ORDER: MAT[ ][D][N][D]S[R]

1 2 3 4 5

- 1- Nr. of Ways  
Single Row: 1 to 40  
Double Row: 2 to 80
- 2- Row Version:  
(S)-Single Row  
(D)-Double Row
- 3- Pin Style  
(N)-90°  
(R)-180°
- 4- Terminal Plating:  
(E)-Sn  
(D)-FLASH Au  
(F)-0,38um Au  
(G)-0,76um Au  
(C)-0,38um Au/Sn  
(H)-0,76um Au/Sn
- 5-(R) RoHS Compliant



**MATRIX Tecnologia Ind. e Com. Ltda.**

UNIT mm	SCALE 5:1	TITLE 2.54mm FEMALE HEADER H=8.4mm DUAL ROW 90°	DATE JULY 2007
TOLERANCE: ±0.25			APP. BY
		MATL	CHK. BY
		DWG. NO.	DR. BY DIEGO