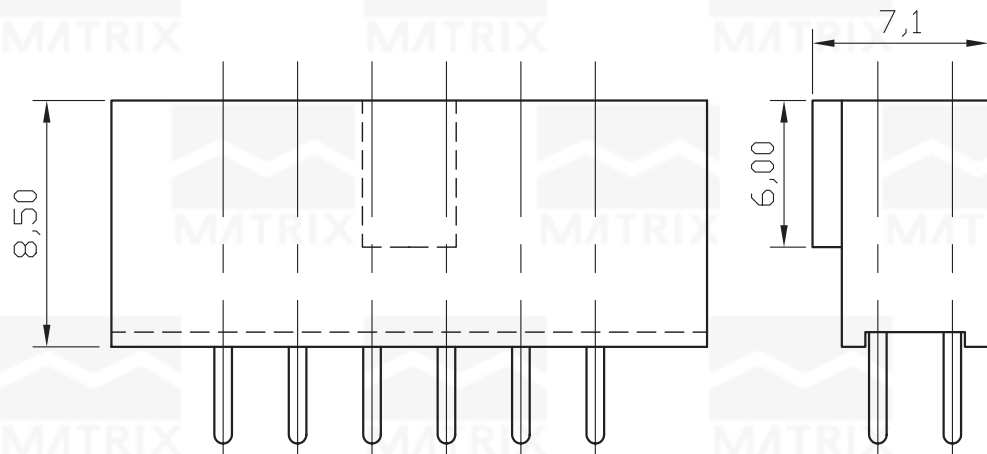


REV	ECN. NO.	APP	DATE
A	EDIÇÃO INICIAL		



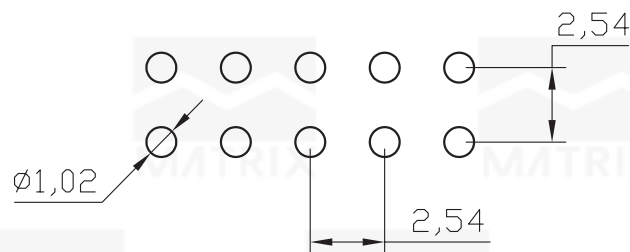
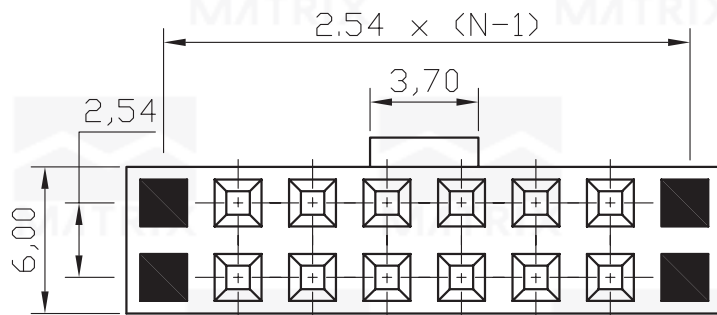
SPECIFICATIONS

Material

Insulation: PBT, Glass reinforced, rated UL94V-0
 Contact: Phosphor bronze or Bass

Electrical

Current Rating: 1Amp
 Contact Resistance: 30mΩ max.
 Insulation Resistance: 3000MΩ min.
 Dielectric Withstanding Voltage: 500V AC for 1 min.
 Operating Temperature: -40°C to 105°C



RECOMMENDED P.C.B. LAYOUT

HOW TO ORDER: MAT-[]-[D]-[R]-[]-S-WB-[]

- | | | | | |
|--|---|-------------------------------------|--|----------------------|
| 1 | 2 | 3 | 4 | 5 |
| 1- Nr. of Ways
Single Row: 1 to 40
Double Row: 2 to 80 | 2- Row Version:
(S)-Single Row
(D)-Double Row | 3- Pin Style
(N)-90°
(R)-180° | 4- Terminal Plating:
(E)-Sn
(D)-FLASH Au
(F)-0,38um Au
(G)-0,76um Au
(C)-0,38um Au/Sn
(H)-0,76um Au/Sn | 5- (R)RoHS Compliant |



MATRIX Tecnologia Ind. e Com. Ltda.

UNIT mm	SCALE 4:1	TITLE 2,54mm FEMALE HEADER DUAL ROW 180° H=8,5mm	DATE JULY 2007
TOLERANCE: ±0.25			APP. BY
		MATL	CHK. BY
		DWG. NO.	DR. BY DIEGO