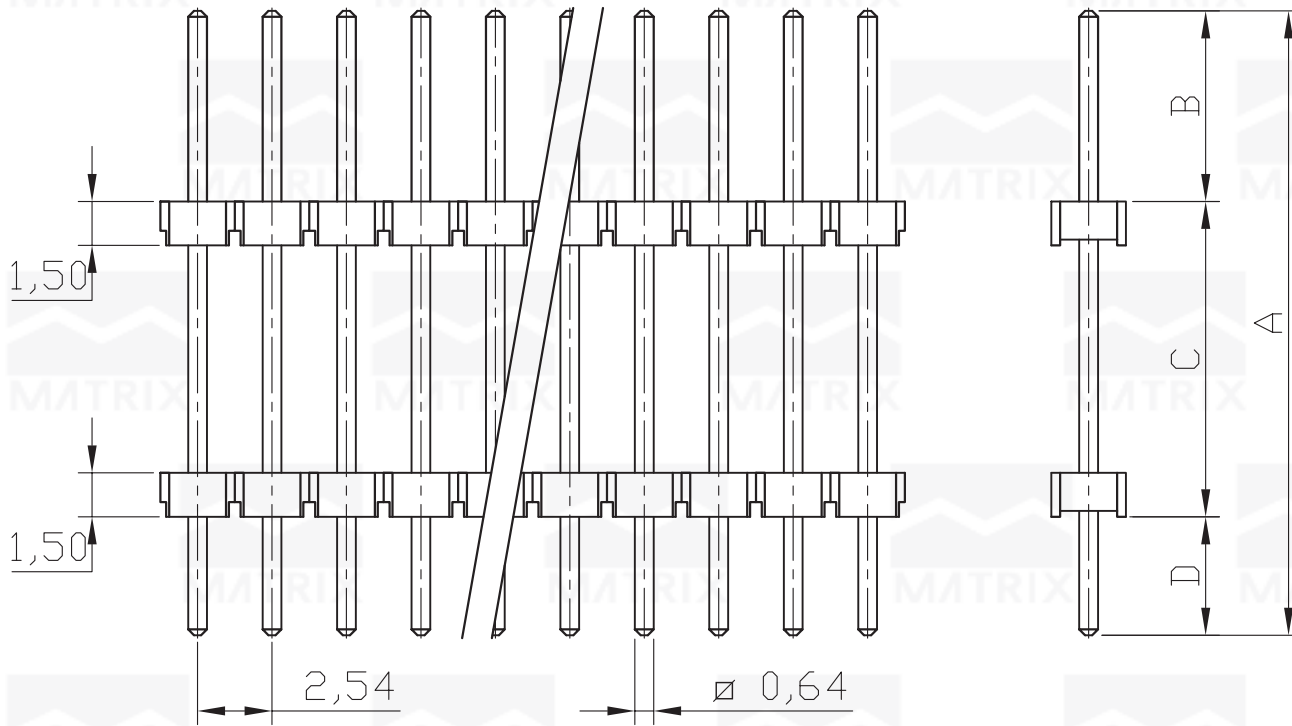


REV	ECN. NO.	APP	DATE
A	EDIÇÃO INICIAL		

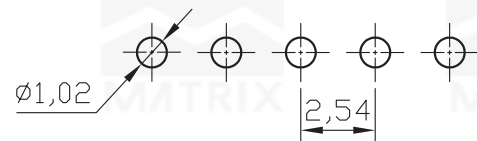


### SPECIFICATIONS

Current Rating: 3A  
 Operating Temperature: -55°C to 105°C  
 Contact Resistance: 20Milliohms Max.  
 Insulation Resistance: 100Megaohms Min.  
 Withstanding Voltage: AC 100V RMSI

### MATERIALS

Housing: Thermoplastic UL 94V-0  
 Contact: Copper Alloys



RECOMMENDED P.C.B LAYOUT

### HOW TO ORDER: MCT-[ ]-[S]-[R]-[ ]-S-P1,5-[ ]

- |  |  |
|--|--|
| 1- Nr. of Ways<br>Single Row: 1 to 40<br>Double Row: 2 to 80 | 4- Terminal Plating:<br>(E)-Sn<br>(F)-FLASH Au<br>(A)-0,38um Au<br>(B)-0,76um Au<br>(C)-0,38um Au/Sn<br>(D)-0,76um Au/Sn |
| 2- Row Version:<br>(S)-Single Row<br>(D)-Double Row          | 5- (R)-RoHS Compliant  |
| 3- Pin Style<br>(N)-90°<br>(R)-180°                          |  |



**MATRIX Tecnologia Ind. e Com. Ltda.**

UNIT mm	SCALE 4:1	TITLE 2,54mm MCT SINGLE ROW H= 1,5mm 180°	DATE AUGUST 2007
TOLERANCE: ±0.25			APP. BY
		MATL	CHK. BY
		DWG. NO.	DR. BY DINO