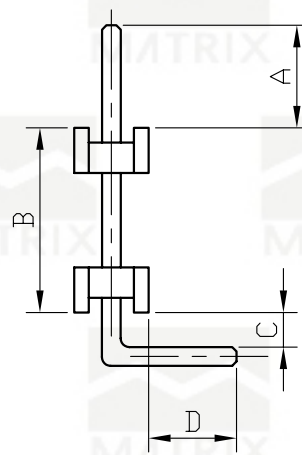
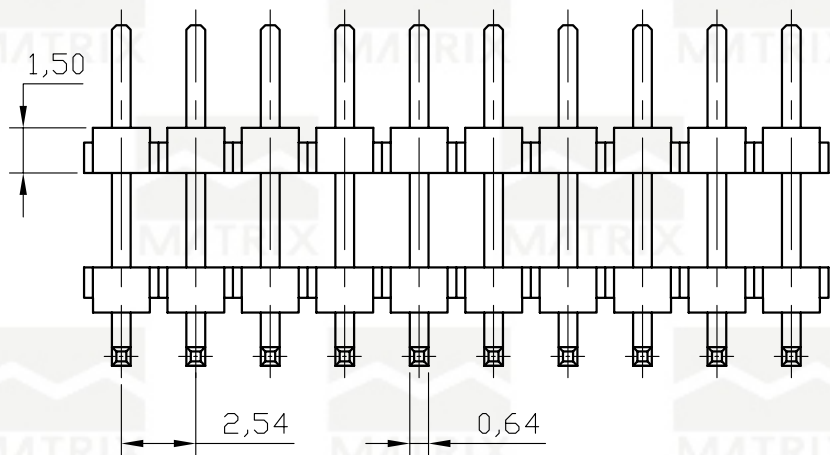


REV	ECN. NO.	APP	DATE
A	EDIÇÃO INICIAL		

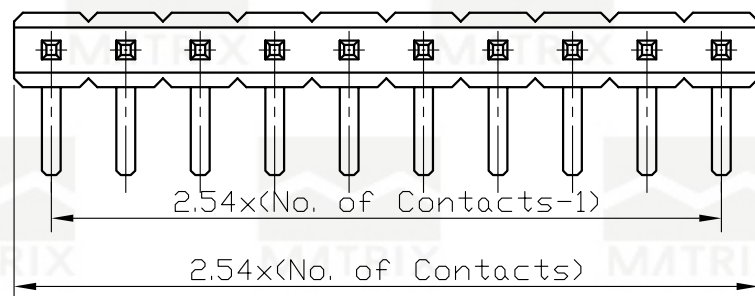


**SPECIFICATIONS**

Current Rating: 3A  
 Operating Temperature: -55°C to 105°C  
 Contact Resistance: 20Milliohms Max.  
 Insulation Resistance: 100Megaohms Min.  
 Withstanding Voltage: AC 100V RMS]

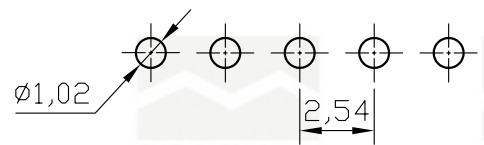
**MATERIALS**

Housing: Thermoplastic UL 94V-0  
 Contact: Copper Alloys



**HOW TO ORDER:**  
**MCT-[ ]-[S]-[N]-[ ]-S-P1.5-[ ]**  
**1 2 3 4 5**

- 1- Nr. of Ways  
 Single Row: 2 to 40  
 Double Row: 2 to 80
- 2- Row Version:  
 (S)-Single Row  
 (D)-Double Row
- 3- Pin Style  
 (N)-90°  
 (R)-180°
- 4- Terminal Plating:  
 (E)-Sn  
 (F)-FLASH Au  
 (A)-0,38um Au  
 (B)-0,76um Au  
 (C)-0,38um Au/Sn  
 (D)-0,76um Au/Sn
- 5- (R)-RoHS Compliant



RECOMMENDED P.C.B LAYOUT

		<b>MATRIX Tecnologia Ind. e Com. Ltda.</b>	
TOLERANCE: ±0.25		TITLE	DATE
		2,54mm MCT H=1,5mm SINGLE ROW 90°	
		MATL	CHK. BY
		DWG. NO.	DR. BY DIEGO