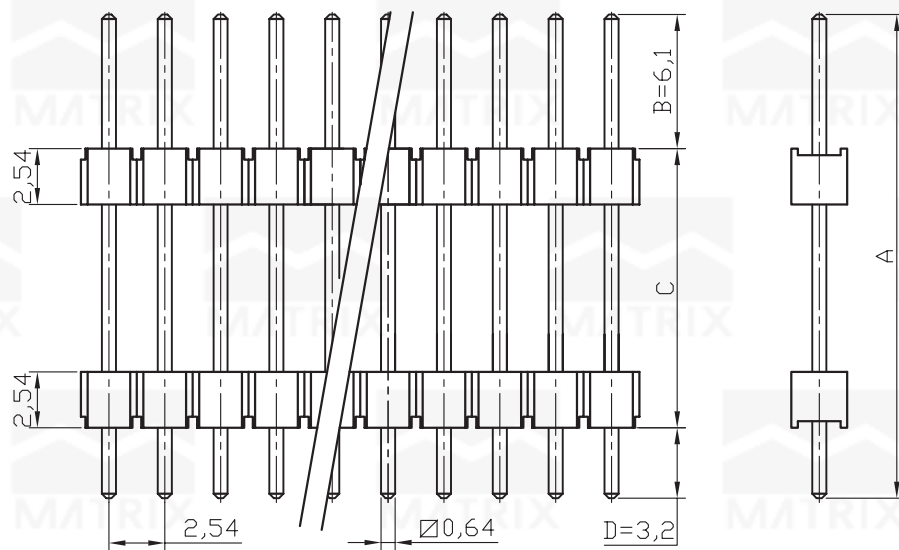


REV	ECN. NO.	APP	DATE
A	EDIÇÃO INICIAL		

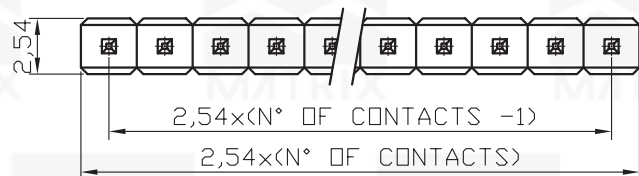


**SPECIFICATIONS**

Current Rating: 3 Amps  
 Dielectric Withstanding: AC 500V  
 Operating Temperature: -40°C to +105°C  
 Max Processing Temp: 230° for 30~60 seconds  
 (260° for 10 seconds)



P.C. Board Layout



**HOW TO ORDER:**  
**MCT-[ ]-[S]-[R]-[ ]-[ ]-[ ]**  
**1 2 3 4 5 6**

- 1- Nr. of Ways  
 Single Row: 1 to 40  
 Double Row: 2 to 80
- 2- Row Version:  
 (S)-Single Row  
 (D)-Double Row
- 3- Pin Style  
 (N)-90°  
 (R)-180°
- 4- Terminal Plating:  
 (E)-Sn  
 (F)-FLASH Au  
 (A)-0,38um Au  
 (B)-0,38um Au/Sn  
 (D)-0,76um Au  
 (C)-0,76um Au/Sn
- 5- Table
- 6- (R)-RoHS Compliant

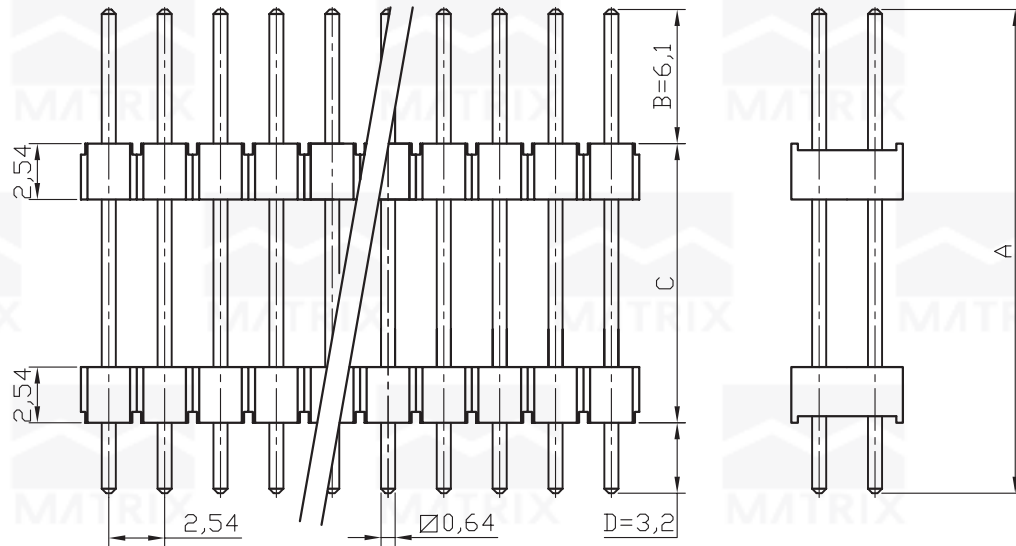
TABLE	
STYLE	DIMENSION A
B	22,00
T	25,00
W	30,00
V	35,00
X	40,00



**MATRIX TECNOLOGIA IND. E COM. LTDA.**

UNIT mm	SCALE 3:1	TITLE MCT 2,54mm SINGLE ROW 180°	DATE SEPTEMBER 2007
TOLERANCE: ±0.25			APP. BY
		MATL	CHK. BY
		DWG. NO.	DR. BY DINO

REV	ECN. NO.	APP	DATE
A	EDIÇÃO INICIAL		

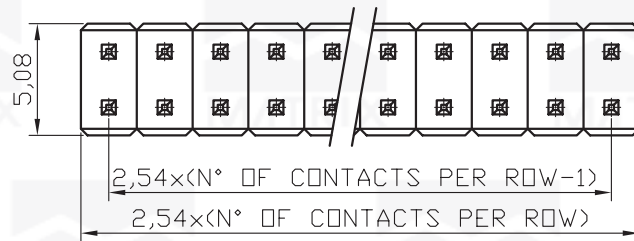


**SPECIFICATIONS**

Current Rating: 3 Amps  
 Dielectric Withstanding: AC 500V  
 Operating Temperature: -40°C to +105°C  
 Max Processing Temp: 230° for 30~60 seconds  
 (260° for 10 seconds)



P.C. Board Layout



**HOW TO ORDER:**  
**MCT-[ ]-[D]-[R]-[ ]-[ ]-[ ]**  
**1 2 3 4 5 6**

- 1- Nr. of Ways  
 Single Row: 1 to 40  
 Double Row: 2 to 80
- 2- Row Version:  
 (S)-Single Row  
 (D)-Double Row
- 3- Pin Style  
 (N)-90°  
 (R)-180°
- 4- Terminal Plating:  
 (E)-Sn  
 (F)-FLASH Au  
 (A)-0,38um Au  
 (B)-0,38um Au/Sn  
 (D)-0,76um Au  
 (C)-0,76um Au/Sn
- 5- Table
- 6- (R)-RoHS Compliant

TABLE	
STYLE	DIMENSION A
B	22,00
T	25,00
W	30,00
V	35,00
X	40,00



**MATRIX TECNOLOGIA IND. E COM. LTDA.**

UNIT mm	SCALE 3:1	TITLE MCT 2,54mm DOUBLE ROW 180°	DATE SEPTEMBER 2007
TOLERANCE: ±0.25			APP. BY
		MATL	CHK. BY
		DWG. NO.	DR. BY DINO