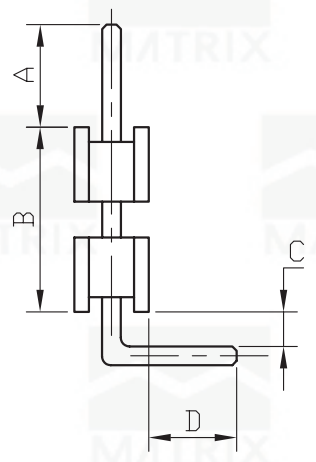
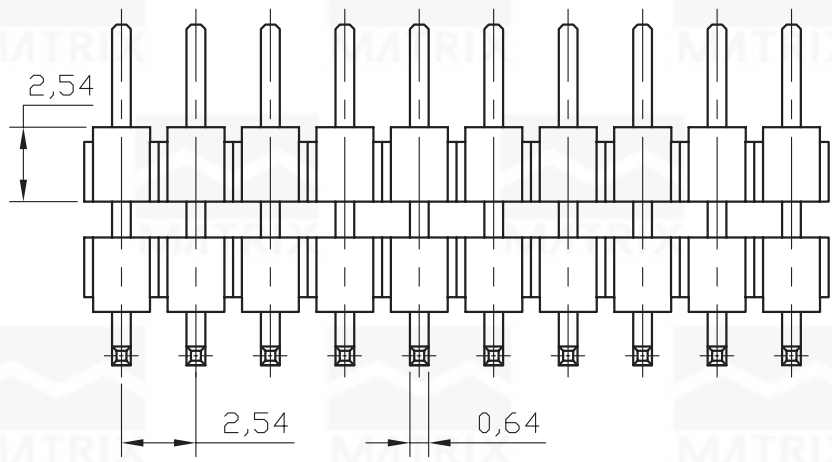


REV	ECN. NO.	APP	DATE
A	EDIÇÃO INICIAL		

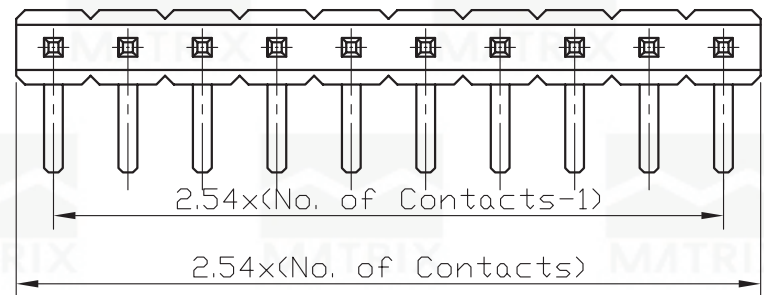


**SPECIFICATIONS**

Current Rating: 3A  
 Operating Temperature: -55°C to 105°C  
 Contact Resistance: 20Milliohms Max.  
 Insulation Resistance: 100Megaohms Min.  
 Withstanding Voltage: AC 100V RMSJ

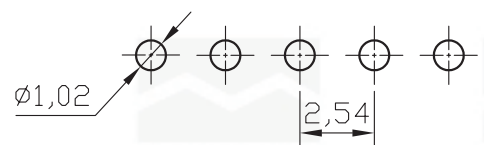
**MATERIALS**

Housing: Thermoplastic UL 94V-0  
 Contact: Copper Alloys



**HOW TO ORDER:**  
**MCT-[ ]-[S]-[N]-[ ]-[S]-[ ]**  
**1 2 3 4 5**

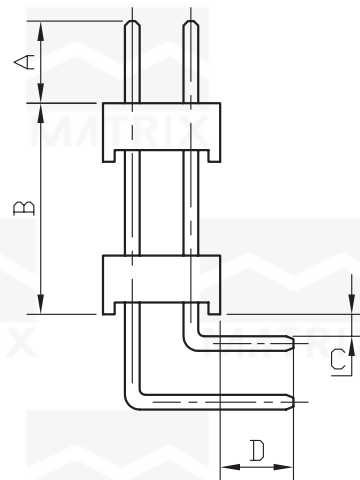
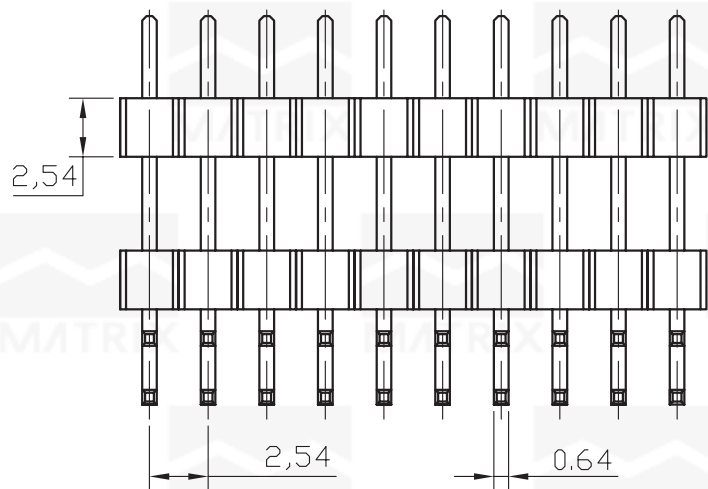
- 1- Nr. of Ways  
 Single Row: 1 to 40  
 Double Row: 2 to 80
- 2- Row Version:  
 (S)-Single Row  
 (D)-Double Row
- 3- Pin Style  
 (N)-90°  
 (R)-180°
- 4- Terminal Plating:  
 (E)-Sn  
 (F)-FLASH Au  
 (A)-0,38um Au  
 (B)-0,76um Au  
 (C)-0,38um Au/Sn  
 (D)-0,76um Au/Sn
- 5- (R)-RoHS Compliant



RECOMMENDED P.C.B LAYOUT

		<b>MATRIX Tecnologia Ind. e Com. Ltda.</b>	
UNIT mm	SCALE 4:1	TITLE 2.54mm MCT SINGLE ROW 90°	DATE AUGUST 2007
TOLERANCE: ±0.25			APP. BY
		MATL	CHK. BY
		DWG. NO.	DR. BY DIEGO

REV	ECN. NO.	APP	DATE
A	EDIÇÃO INICIAL		

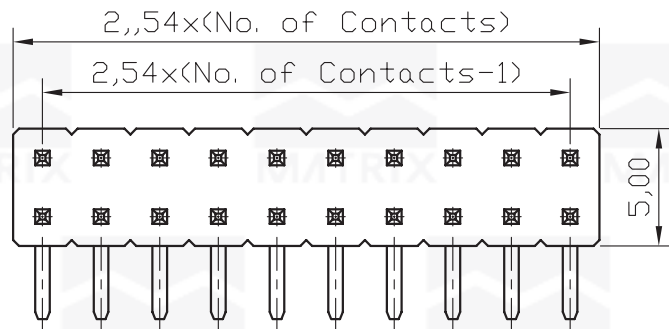


### SPECIFICATIONS

Current Rating: 2Amps  
 Dielectric Withstanding: AC 500V  
 Operating Temperature: -40°C to 105°C

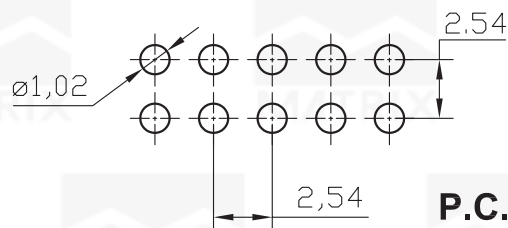
### MATERIAL

Contact: Brass  
 Insulator Material: PBT  
 Color: Black



### HOW TO ORDER: MCT-[ ]-[D]-[N]-[ ]-[S]-[ ]

- |  |  |
|--|--|
| 1- Nr. of Ways<br>Single Row: 1 to 40<br>Double Row: 2 to 80 | 4- Terminal Plating:<br>(E)-Sn<br>(F)-FLASH Au<br>(A)-0,38um Au<br>(B)-0,76um Au<br>(C)-0,38um Au/Sn<br>(D)-0,76um Au/Sn |
| 2- Row Version:<br>(S)-Single Row<br>(D)-Double Row          | 5- (R)-RoHS Compliant  |
| 3- Pin Style<br>(N)-90°<br>(R)-180°                          |  |



**P.C.Board Layout**



**MATRIX Tecnologia Ind. e Com. Ltda.**

UNIT mm	SCALE 4:1	TITLE 2,54mm MCT DOUBLE ROW 90°	DATE AUGUST 2007
TOLERANCE: ±0.25			APP. BY
		MATL	CHK. BY
		DWG. NO.	DR. BY DIEGO