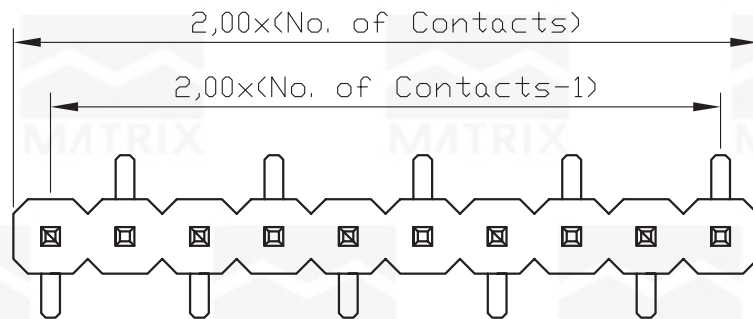
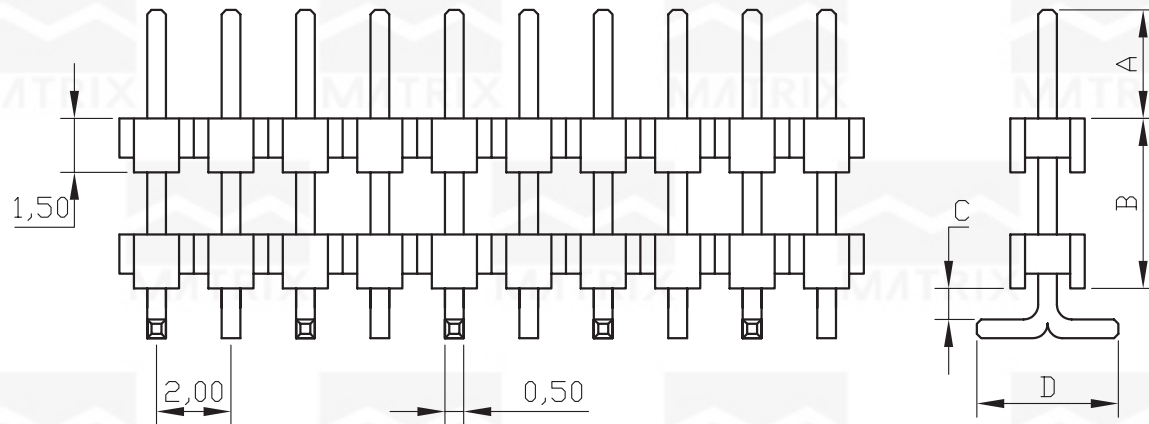


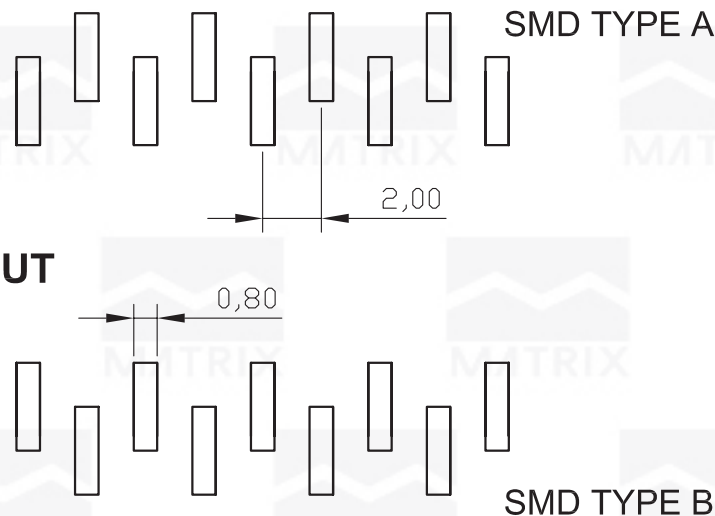
REV	ECN. NO.	APP	DATE
A	EDIÇÃO INICIAL		



**HOW TO ORDER:**  
**MCT-[ ]-[S]-[R]-[ ]-[ ]-2.0-P1.5-SMD-[ ]-[ ]**  
 1 2 3 4 5 6 7

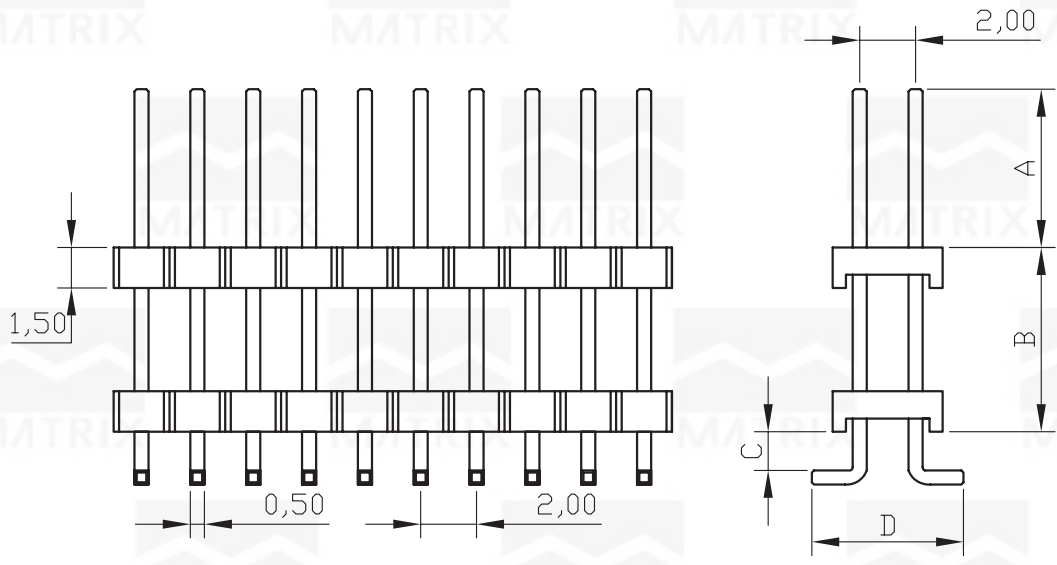
- 1- Nr. of Ways  
Single Row: 1 to 40  
Double Row: 2 to 80
- 2- Row Version:  
(S)-Single Row  
(D)-Double Row
- 3- Terminal Plating:  
(E)-Sn  
(F)-FLASH Au  
(A)-0,38um Au  
(B)-0,76um Au  
(C)-0,38um Au/Sn  
(D)-0,76um Au/Sn
- 4- According to Customer Design
- 5- Type  
(A)-A Type  
(B)-B Type
- 6- (R)-RoHS Compliant

**P.C.B. LAYOUT**



		<b>MATRIX Tecnologia Ind. e Com. Ltda.</b>	
		TITLE 2.0mm MCT HEIGHT 1,5mm SINGLE ROW 180° SMT TYPE	DATE AUGUST 2007
		TOLERANCE: ±0.25	APP. BY
		MATL	CHK. BY
		DWG. NO.	DR. BY DIEGO

REV	ECN. NO.	APP	DATE
A	EDIÇÃO INICIAL		

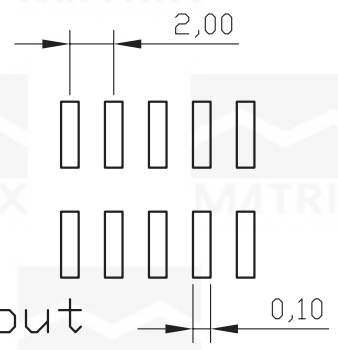
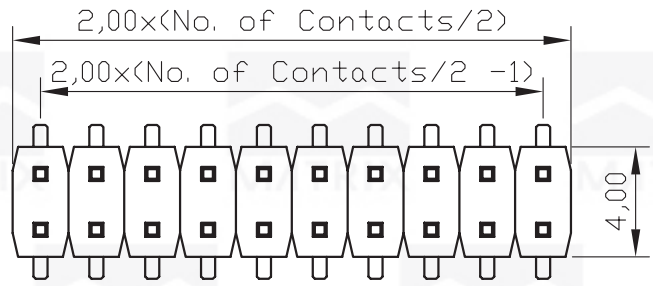


**MATERIAL**

Housing: Termoplástico UL 94V-0  
 Contact: Copper Alloys

**SPECIFICATIONS**

Current: 1Amp  
 Operating Temperature: -55°C to 105°C  
 Contact Resistance: 20 Milliohms Max.  
 Insulation Resistance: 5000 Megaohms Min.  
 Dielectric Strength: 1000VAC Min.  
 Durability: 100 Cycles  
 Retention Force: 70g Min.



P.C.Board Layout

**HOW TO ORDER:**  
**MCT-[ ]-[D]-[R]-[ ]-[ ]-2.0-P1.5-SMD-[ ]**  
 1 2 3 4 5 6

- 1- Nr. of Ways  
 Single Row: 1 to 40  
 Double Row: 2 to 80
- 2- Row Version:  
 (S)-Single Row  
 (D)-Double Row
- 3- Pin Style  
 (N)-90°  
 (R)-180°
- 4- Terminal Plating:  
 (E)-Sn  
 (F)-FLASH Au  
 (A)-0,38um Au  
 (B)-0,76um Au  
 (C)-0,38um Au/Sn  
 (D)-0,76um Au/Sn
- 5- According to customer Design
- 6- (R)-RoHS Compliant

		<b>MATRIX Tecnologia Ind. e Com. Ltda.</b>		
				UNIT mm
TOLERANCE: ±0.25				APP. BY
		MATL		CHK. BY
		DWG. NO.		DR. BY DIEGO