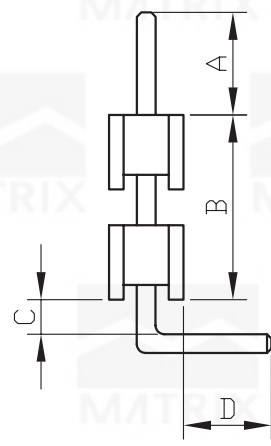
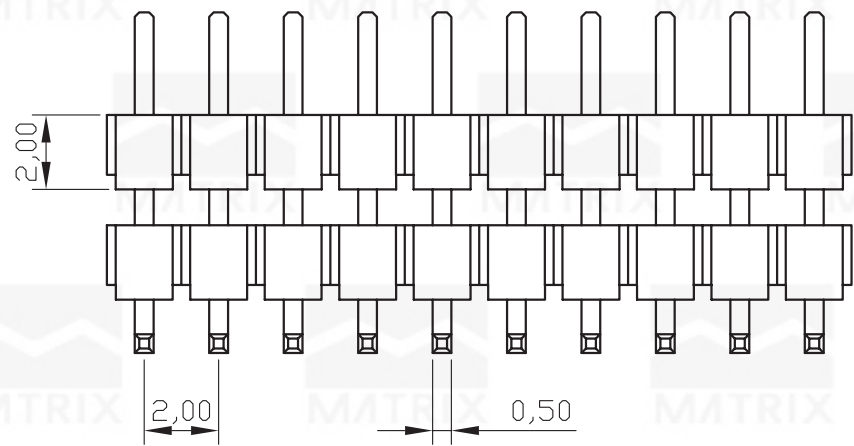


REV	ECN. NO.	APP	DATE
A	EDIÇÃO INICIAL		

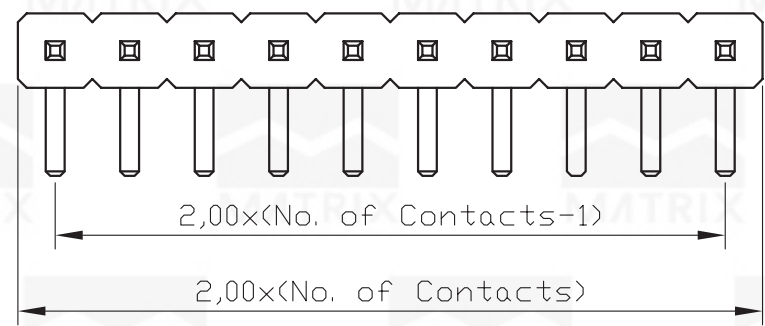


SPECIFICATIONS

Current rating: 2Amps
 Dielectric Withstanding: AC 500V
 Operating Temperature: -40°C to 105°C

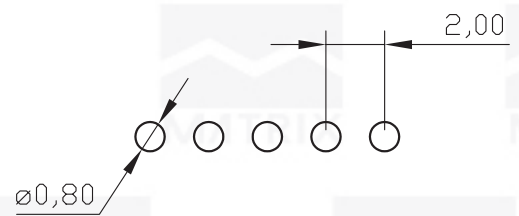
MATERIAL

Contact: Brtass
 Insulation Material: PBT
 Color: Black



HOW TO ORDER:
MCT-[]-[S]-[N]-[]-[]-2.0-[]
1 2 3 4 5 6

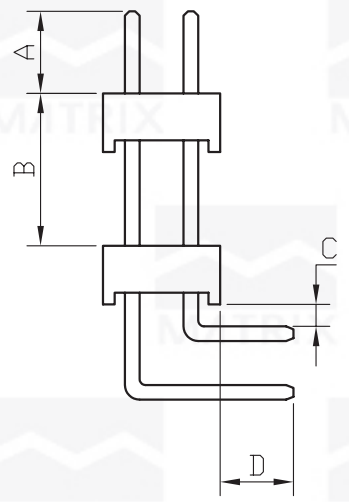
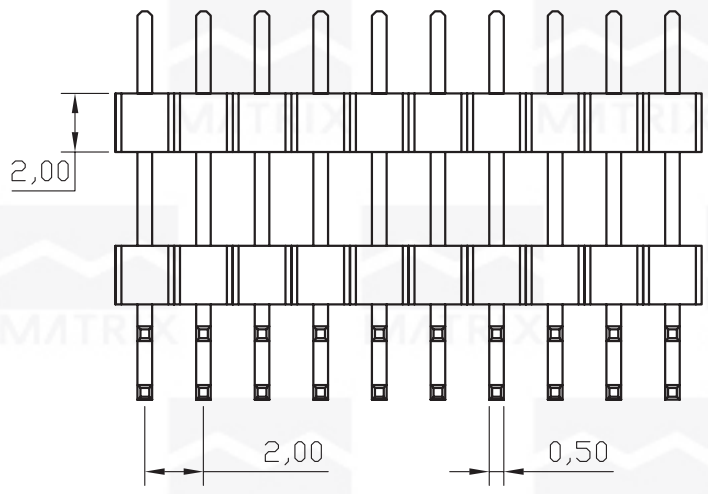
- 1- Nr. of Ways
 Single Row: 1 to 40
 Double Row: 2 to 80
- 2- Row Version:
 (S)-Single Row
 (D)-Double Row
- 3- Pin Style
 (N)-90°
 (R)-180°
- 4- Terminal Plating:
 (E)-Sn
 (F)-FLASH Au
 (A)-0,38um Au
 (B)-0,76um Au
 (C)-0,38um Au/Sn
 (D)-0,76um Au/Sn
- 5- According to Customer Design
- 6- (R)-RoHS Compliant



P.C. BOARD LAYOUT

		MATRIX Tecnologia Ind. e Com. Ltda.	
TOLERANCE: ±0.25		TITLE	DATE AUGUST 2007
		2.00mm MCT HEIGHT 2.00mm SINGLE ROW 90°	
	MATL	CHK. BY	
	DWG. NO.	DR. BY DIEGO	

REV	ECN. NO.	APP	DATE
A	EDIÇÃO INICIAL		

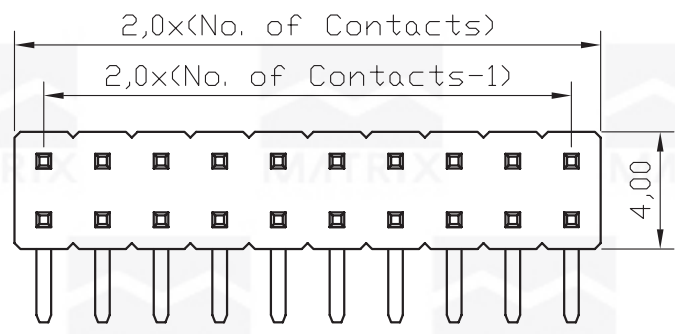


SPECIFICATIONS

Current Rating: 2Amps
 Dielectric Withstanding: AC 500V
 Operating Temperature: -40°C to 105°C

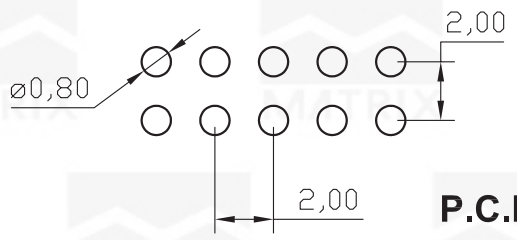
MATERIAL

Contact: Brass
 Insulator Material: PBT
 Color: Black



HOW TO ORDER:
MCT-[]-[D]-[N]-[]-[]-2,0-[]
1 2 3 4 5 6

- 1- Nr. of Ways
 Single Row: 1 to 40
 Double Row: 2 to 80
- 2- Row Version:
 (S)-Single Row
 (D)-Double Row
- 3- Pin Style
 (N)-90°
 (R)-180°
- 4- Terminal Plating:
 (E)-Sn
 (F)-FLASH Au
 (A)-0,38um Au
 (B)-0,76um Au
 (C)-0,38um Au/Sn
 (D)-0,76um Au/Sn
- 5- According to Customer Design
- 6- (R)-RoHS Compliant



P.C.Board Layout



MATRIX Tecnologia Ind. e Com. Ltda.

UNIT mm	SCALE 4:1	TITLE 2,00mm MCT HEIGHT 2,0mm DOUBLE ROW 90°	DATE AUGUST 2007
TOLERANCE: ±0.25			APP. BY
		MATL	CHK. BY
		DWG. NO.	DR. BY DIEGO