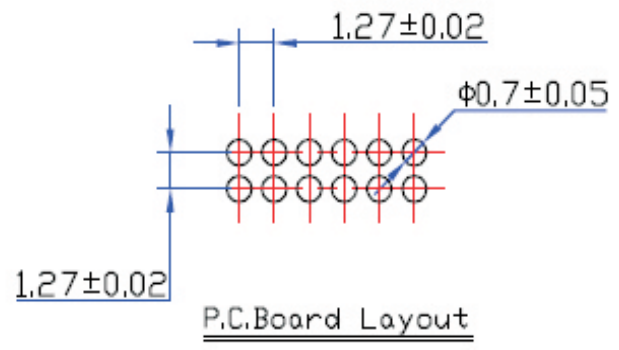
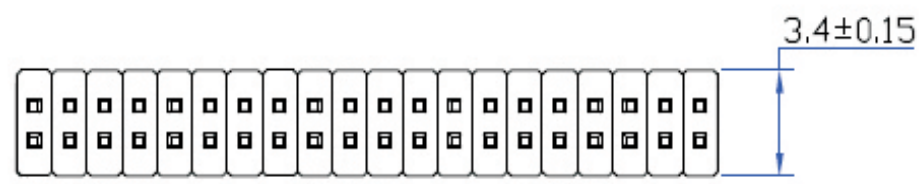
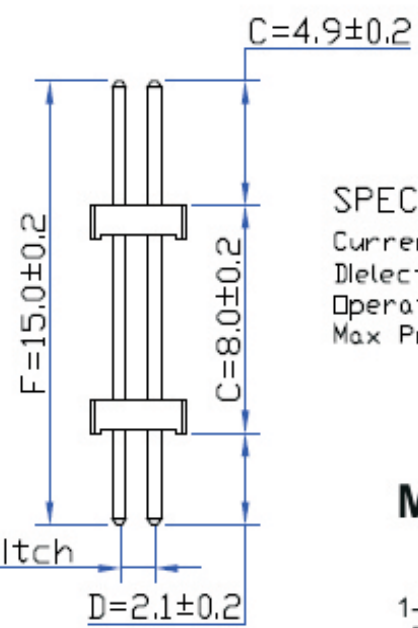
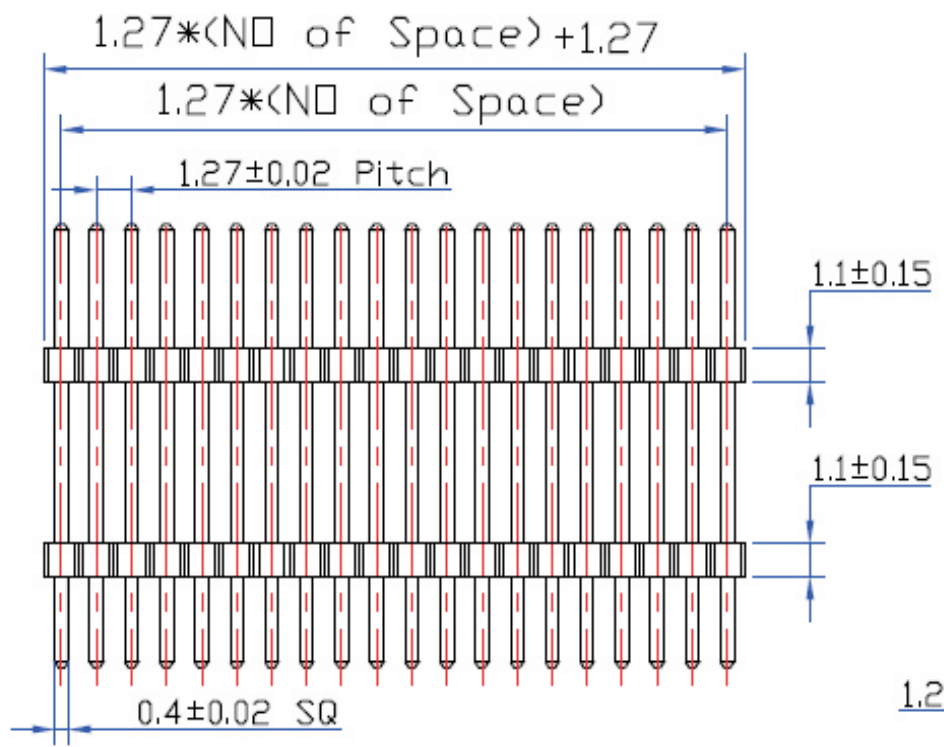


REV	ECN. NO.	APP	DATE
A	EDIÇÃO INICIAL		



SPECIFICATIONS

Current Rating: 1 Amps
 Dielectric Withstanding: AC 500V
 Operating Temperature: -40°C to +105°C
 Max Processing Temp: 230° for 30~60 seconds
 (260° for 10 seconds)

HOW TO ORDER:
MCT[][D][R][]S[E][B][][R]
1 2 3 4 5 6 7 8

- | | |
|---|---------------------------------|
| 1- Nr. of Ways:
Double Row: 02 to 80 | 5- Pitch:
(E) MCT 1.27mm |
| 2- Row Version:
(D)-Double Row | 6- Profile:
(B)-1,10mm |
| 3- Pin Style:
(N)-90°
(R)-180° | 7- Options:
(T)-Tube Packing |
| 4- Terminal Plating
(E)-Sn
(F)-Flash Au
(A)-0,38um Au
(B)-0,76um Au
(C)-0,38um Au/Sn
(D)-0,76um Au/Sn | 8-(R) RoHS Compliant |

		MATRIX TECNOLOGIA IND. E COM. LTDA.	
UNIT mm	SCALE	TITLE 1,27mm MCT HEIGHT 1.1mm 180° DOUBLE ROW	DATE SEPTEMBER 2007
TOLERANCE: ±0.25			APP. BY
		MATL	CHK. BY
		DWG. NO.	DR. BY DIEGO