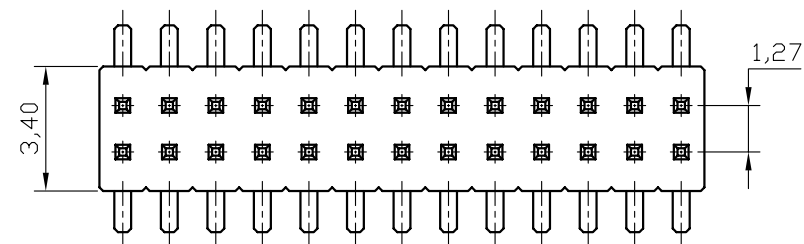
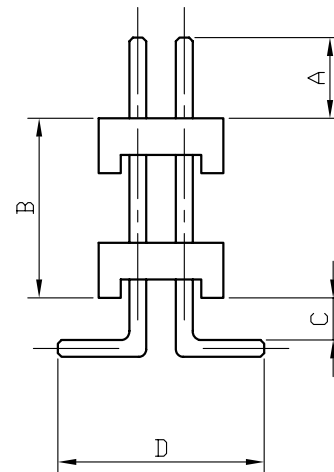
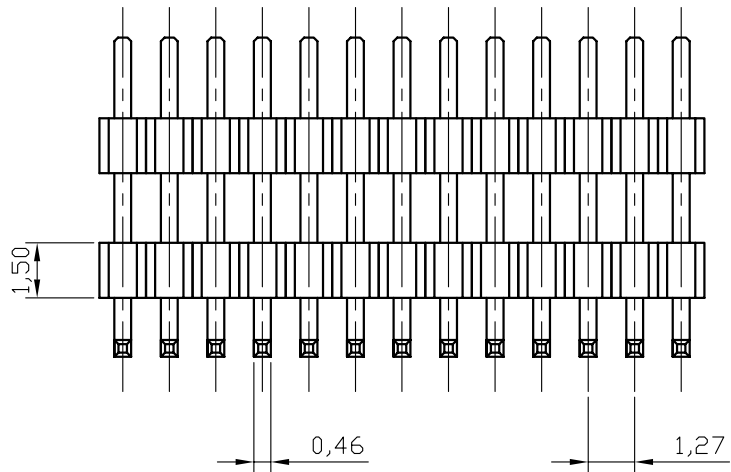


REV	ECN. NO.	APP	DATE
A	EDIÇÃO INICIAL		



HOW TO ORDER: MCT[][D][R][][][E]D[E][][R] 1 2 3 4 5 6 7 8 9

- 1- Nr. of Ways
Single Row: 1 to 40
Double Row: 2 to 80
- 2- Row Version:
(S)-Single Row
(D)-Double Row
- 3- Pin Style
(R)-180°
- 4- Terminal Plating:
(E)-Sn
(F)-FLASH Au
(A)-0,38um Au
(B)-0,76um Au
(C)-0,38um Au/Sn
(D)-0,76um Au/Sn
- 5- According to Customer Design
- 6- Pitch:
(E)-1,27mm x 1,27mm
- 7- Profile:
(E)-1,50mm
- 8- Options:
(T)-Tube Packing
(R)-Reel Packing
(C)-Cap+Tube
(Q)-Cap+Reel
- 9- (R) RoHS Compliant



MATRIX TECNOLOGIA IND. E COM. LTDA.

UNIT mm	SCALE 5:1	TITLE 1,27mm MCT HEIGHT 1,5mm DOUBLE ROW 180° SMT TYPE	DATE OCTOBER 2007
TOLERANCE: ±0.25			APP. BY
		MATL	CHK. BY
		DWG. NO.	DR. BY DIEGO