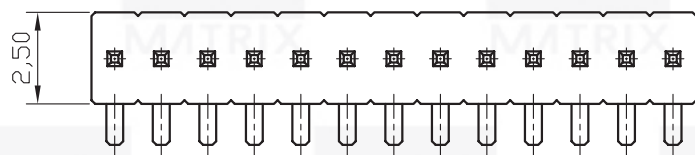
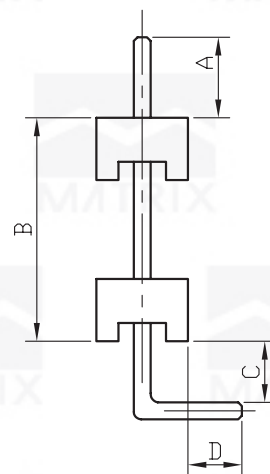
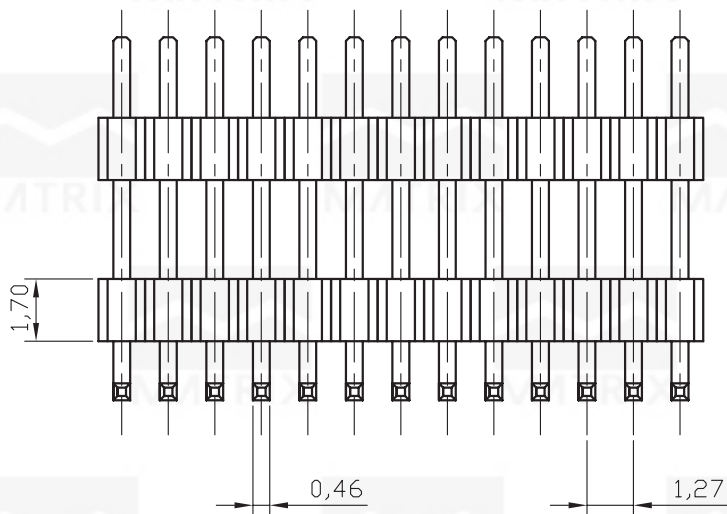


REV	ECN. NO.	APP	DATE
A	EDIÇÃO INICIAL		



### HOW TO ORDER: MCT-[ ]-[S]-[N]-[ ]-[ ]-1,27-P1,7-[ ]

1 2 3 4 5 6

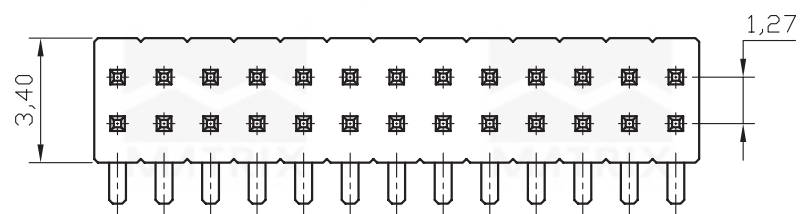
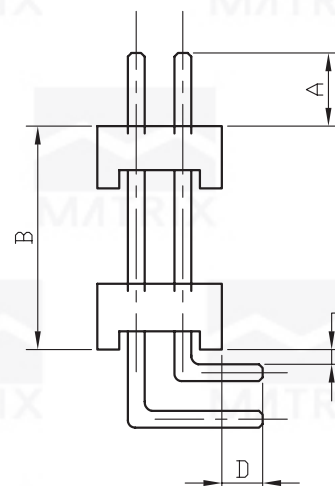
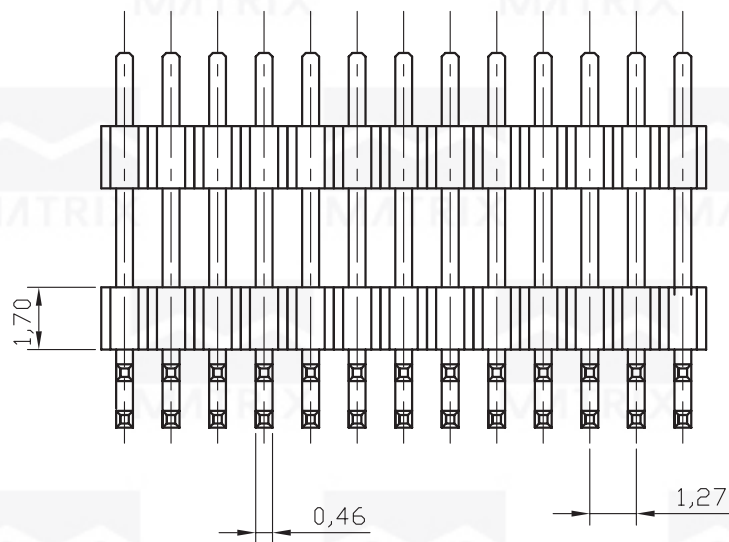
- 1- Nr. of Ways  
Single Row: 1 to 40  
Double Row: 2 to 80
- 2- Row Version:  
(S)-Single Row  
(D)-Double Row
- 3- Pin Style  
(R)-180°  
(N)-90°
- 4- Terminal Plating:  
(E)-Sn  
(F)-FLASH Au  
(A)-0,38um Au  
(B)-0,76um Au  
(C)-0,38um Au/Sn  
(D)-0,76um Au/Sn
- 5- According to Customer Desing
- 6- (R) RoHS Compliant



MATRIX TECNOLOGIA IND. E COM. LTDA.

UNIT mm	SCALE 5:1	TITLE 1,27mm MCT HEIGHT 1,7mm 90° SINGLE ROW	DATE OCTOBER 2007
TOLERANCE: ±0.25			APP. BY
		MATL	CHK. BY
		DWG. NO.	DR. BY DIEGO

REV	ECN. NO.	APP	DATE
A	EDIÇÃO INICIAL		



### HOW TO ORDER: MCT-[ ]-[D]-[N]-[ ]-[ ]-1,27-P1,7-[ ]

- |  |  |
|--|--|
| 1- Nr. of Ways<br>Single Row: 1 to 40<br>Double Row: 2 to 80 | 4- Terminal Plating:<br>(E)-Sn<br>(F)-FLASH Au<br>(A)-0,38um Au<br>(B)-0,76um Au<br>(C)-0,38um Au/Sn<br>(D)-0,76um Au/Sn |
| 2- Row Version:<br>(S)-Single Row<br>(D)-Double Row          | 5- According to Costumers Design   |
| 3- Pin Style<br>(R)-180°<br>(N)-90°                          | 6- (R) RoHS Compliant  |



MATRIX TECNOLOGIA IND. E COM. LTDA.

UNIT mm	SCALE 5:1	TITLE 1,27mm MCT HEIGHT 1,7mm 90° DOUBLE ROW	DATE OCTOBER 2007
TOLERANCE: ±0.25			APP. BY
		MATL	CHK. BY
		DWG. NO.	DR. BY DIEGO