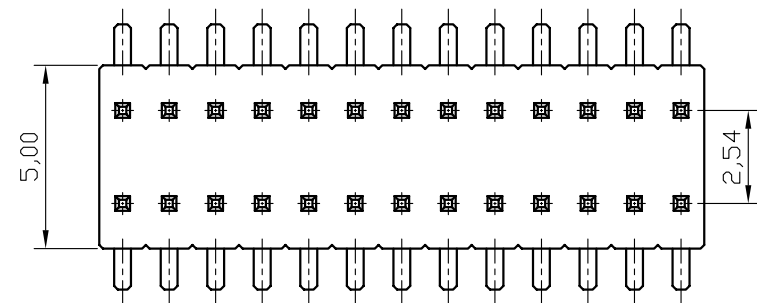
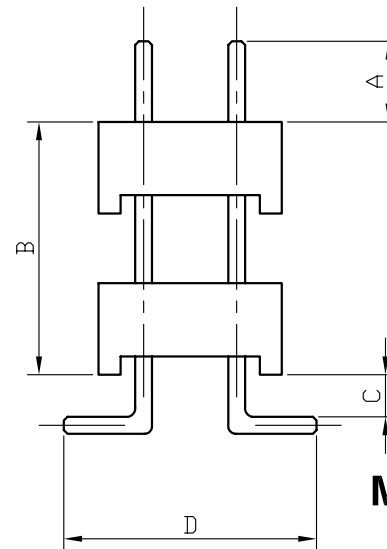
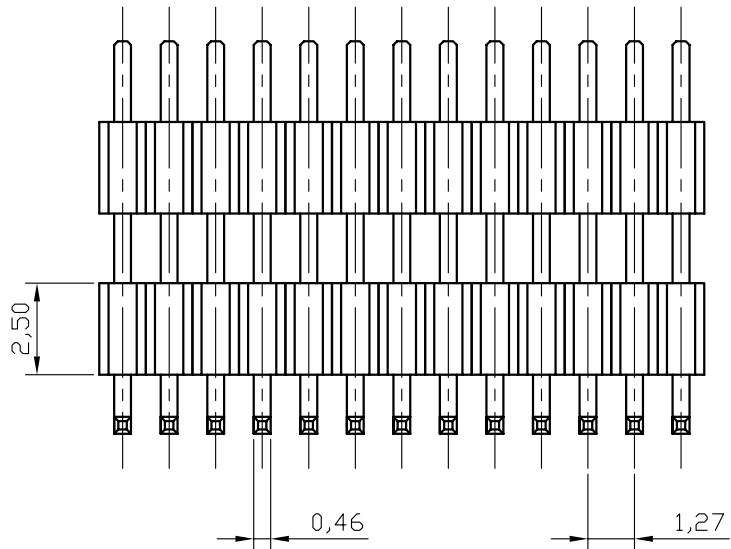


REV	ECN. NO.	APP	DATE
A	EDIÇÃO INICIAL		



HOW TO ORDER: MCT[][D][R][][][F][D][H][][R] 1 2 3 4 5 6 7 8 9 10

- | | |
|--|---|
| 1- Nr. of Ways
Single Row: 1 to 40
Double Row: 2 to 80 | 5- According to Customer Design |
| 2- Row Version:
(S)-Single Row
(D)-Double Row | 6- Pitch:
(F)-1,27mm x 2,54mm |
| 3- Pin Style
(R)-180° | 7- Contact Type:
(D)-SMD |
| 4- Terminal Plating:
(E)-Sn
(F)-FLASH Au
(A)-0,38um Au
(B)-0,76um Au
(C)-0,38um Au/Sn
(D)-0,76um Au/Sn | 8- Profile:
(H)-2,50mm |
| | 9- Options:
(T)-Tube Packing
(R)-Reel Packing
(C)-Cap+Tube
(Q)-Cap+Reel |
| | 10- (R) RoHS Compliant |



MATRIX TECNOLOGIA IND. E COM. LTDA.

UNIT mm	SCALE 5:1	TITLE 1,27x2,54mm MCT HEIGHT 2,5mm DUAL ROW 180° SMT TYPE	DATE OCTOBER 2007
TOLERANCE: ±0.25			APP. BY
		MATL	CHK. BY
		DWG. NO.	DR. BY DIEGO