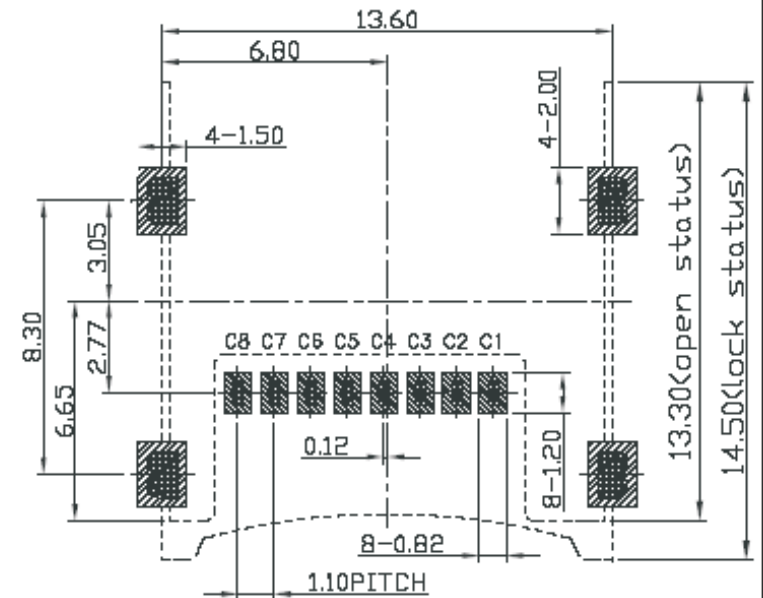
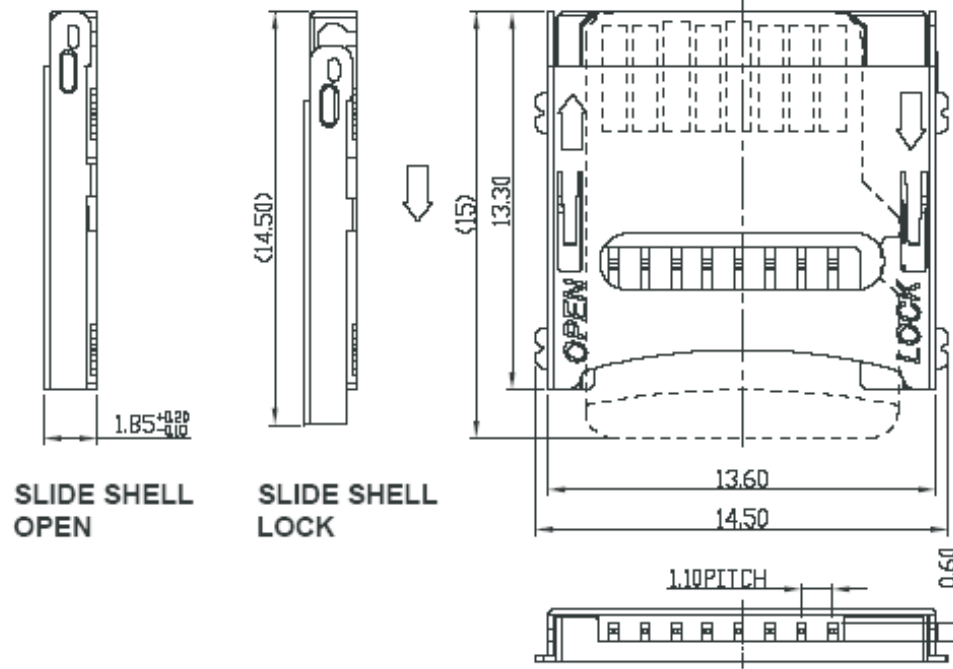
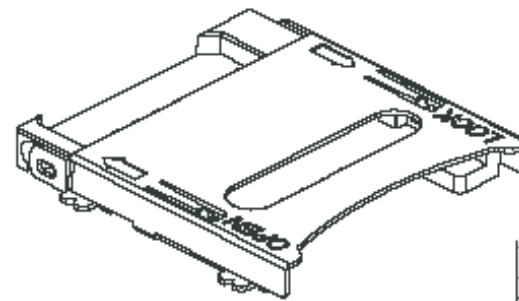


REV	ECN. NO.	APP	DATE
A	EDIÇÃO INICIAL		
B	NOVO CÓDIGO		



Unit: mm; Tolerances:  $\pm 0.05$  mm  
Reference dimension for PCB layout

## TECHNICAL CHARACTERISTICS

### 1. General Characteristics

Dimension: 13.60L x 13.30W x 1.85H mm

Weight: Approx. 0.42 g

Contact principle: Friction technology

Operating position: Shaft up / Down / Horizontal

Mounting System: SMT Type (without post)

Durability: 5,000 cycles min.

### 2. Mechanical Characteristics

Insulation material: Thermoplastic, UL 94V-0

RoHS Directive 2002/95/EC Compliant

### 3. Electrical Characteristics

Number of contacts: 8 pins

Contact resistance: 100m $\Omega$  / 20mA

Insulation resistance: >1000 M $\Omega$  / 500 V DC

Withstanding voltage: 500 V AC

### 4. Solderability

Wave: Not applicable

IR reflow: 260°C, 10 sec. Max.

Manual soldering: 360°C, 3 sec. Max.

### 5. Environmental Characteristics


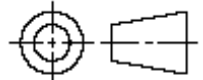
Operating temperature: -40°C ~ +85°C

Operating humidity: 10 % ~ 95 % RH

Storage temperature: -40°C ~ +85°C

Storage humidity: 10 % ~ 95 % RH

## HOW TO ORDER: MCAT18CR

 <b>MATRIX</b>		<b>MATRIX TECNOLOGIA IND. E COM. LTDA.</b>	
UNIT	SCALE	TITLE	DATE
mm		MCAT18CR	MARCH 2010
TOLERANCE: $\pm 0.25$			APP. BY
		MATL	CHK. BY
		DWG. NO.	DR. BY FELIPE