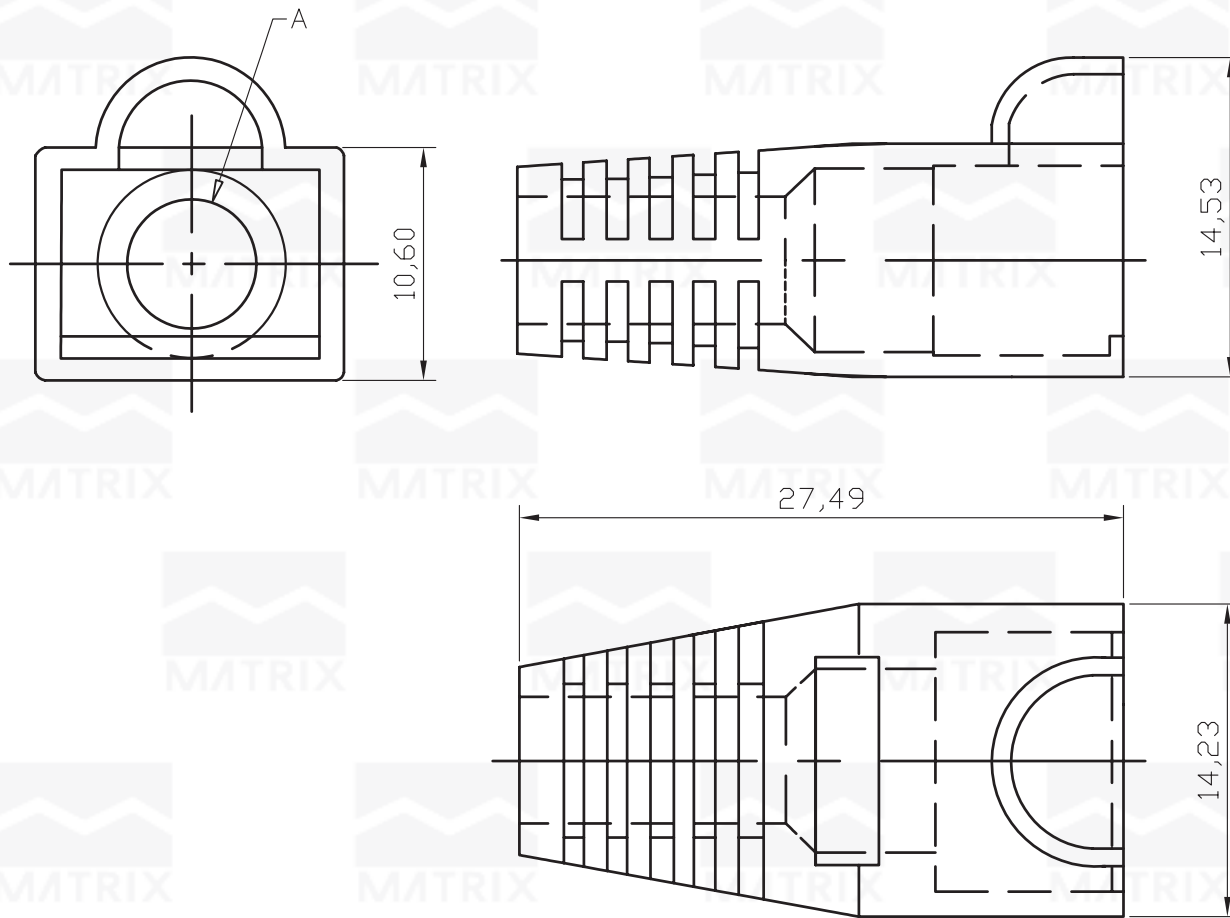


REV	ECN. NO.	APP	DATE
A	EDIÇÃO INICIAL		



HOW TO ORDER:
MX-MPB-[A]-[]-[]-[]
1 2 3 4

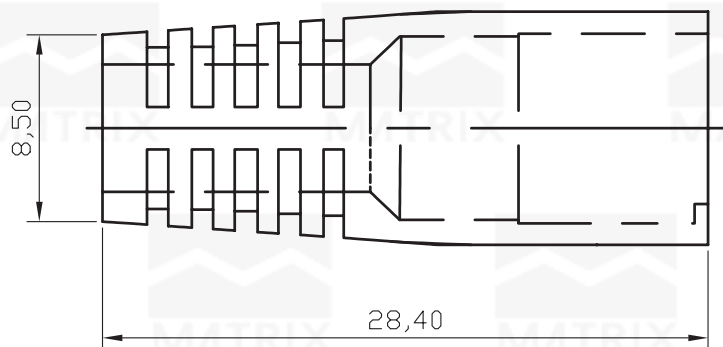
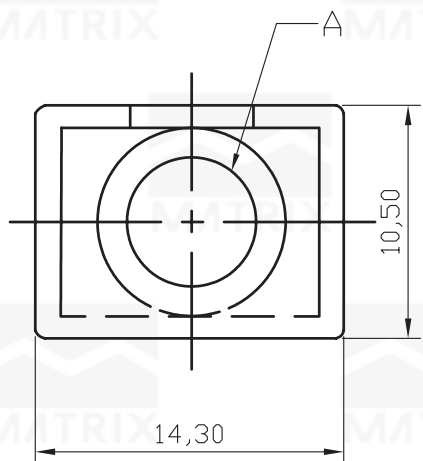
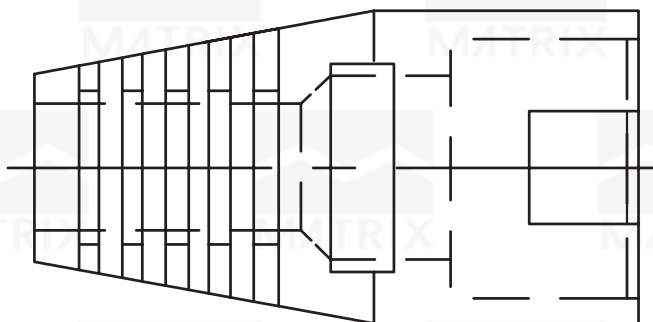
- 1- Body Option:
 (A)-Convex Boot
 (B)-Concave Boot
- 2- Insulator Option:
 (B)-Black
 (W)-White
 (E)-Green
 (L)-Blue
 (Y)-Yellow
 (R)-Red
 (G)-Grey
 (I)-Ivory
- 3- Dimension "A":
 5,0mm
 5,5mm
 6,0mm
 6,5mm
- 4- (R)-RoHS Compliant



MATRIX TECNOLOGIA IND. E COM. LTDA.

UNIT mm	SCALE 3:1	TITLE BOOT OF MODULAR PLUG CONVEX TYPE	DATE OCTOBER 2007
TOLERANCE: ± 0.25			APP. BY
		MATL	CHK. BY
		DWG. NO.	DR. BY DIEGO

REV	ECN. NO.	APP	DATE
A	EDIÇÃO INICIAL		



HOW TO ORDER:
MX-MPB-[B]-[]-[]-[]
1 2 3 4

- 1- Body Option:
 - (A)-Convex Boot
 - (B)-Concave Boot
- 2- Insulator Option:
 - (B)-Black
 - (W)-White
 - (E)-Green
 - (L)-Blue
 - (Y)-Yellow
 - (R)-Red
 - (G)-Grey
 - (I)-Ivory
- 3- Dimension "A":
 - 5,0mm
 - 5,5mm
 - 6,0mm
 - 6,5mm
- 4- (R)-RoHS Compliant



MATRIX TECNOLOGIA IND. E COM. LTDA.

UNIT mm	SCALE 3:1	TITLE BOOT OF MODULAR PLUG	DATE OCTOBER 2007
TOLERANCE: ± 0.25			APP. BY
		MATL	CHK. BY
		DWG. NO.	DR. BY DIEGO