

REV	ECN. NO.	APP	DATE
A	EDIÇÃO INICIAL		

TECHNICAL INFORMATION:

Voltage: 12V

No load current: Less than 1.5A

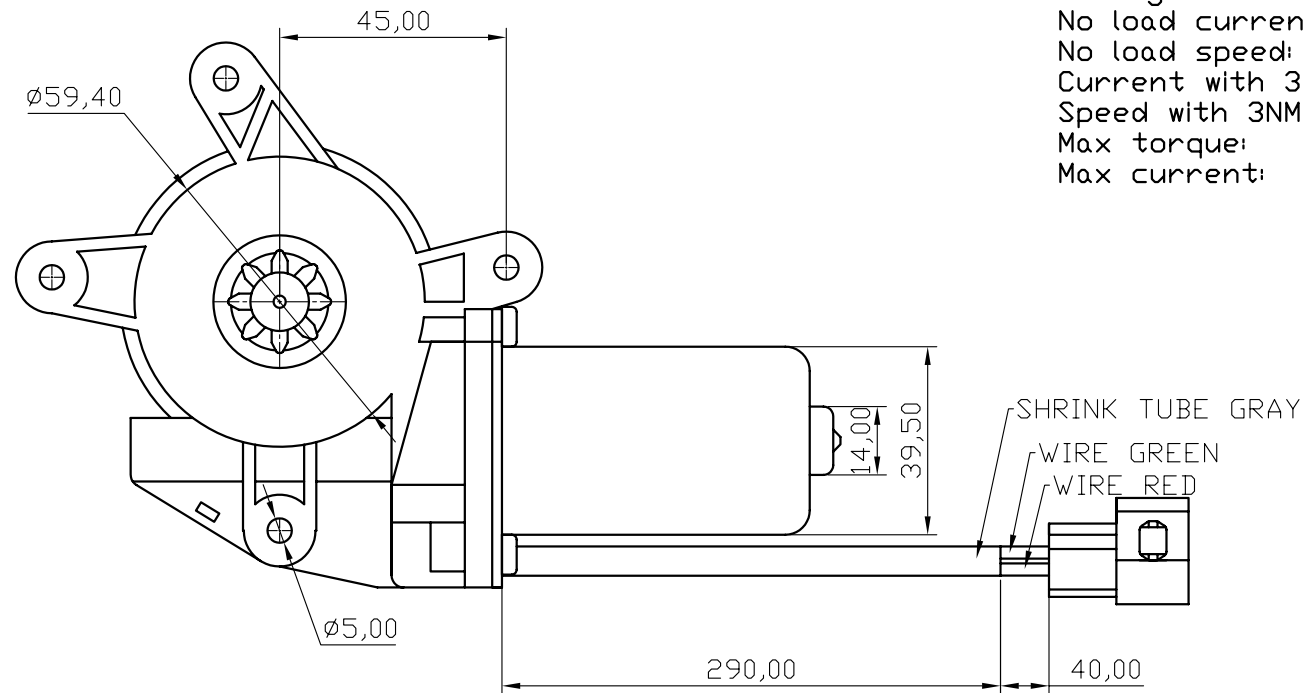
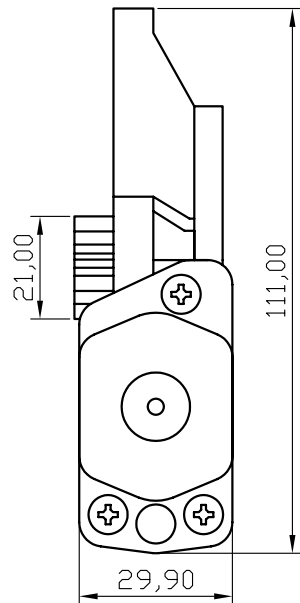
No load speed: More than 90rpm

Current with 3NM: Less than 8A

Speed with 3NM: More than 65rpm

Max torque: More than 8.5NM

Max current: Less than 22A



HOW TO ORDER: DA-203-D



MATRIX Tecnologia Ind. e Com. Ltda.

UNIT mm	SCALE	TITLE DA-203-D RIGHT	DATE AUGUST 2007
TOLERANCE			APP. BY
		MATL	CHK. BY
		DWG. NO.	DR. BY DINO