

| REV | ECN. NO. | APP | DATE |
|-----|----------------|-----|------|
| A | EDIÇÃO INICIAL | | |
| | | | |
| | | | |

TECHNICAL INFORMATION:

Voltage: 12V

No load current: Less than 1.5A

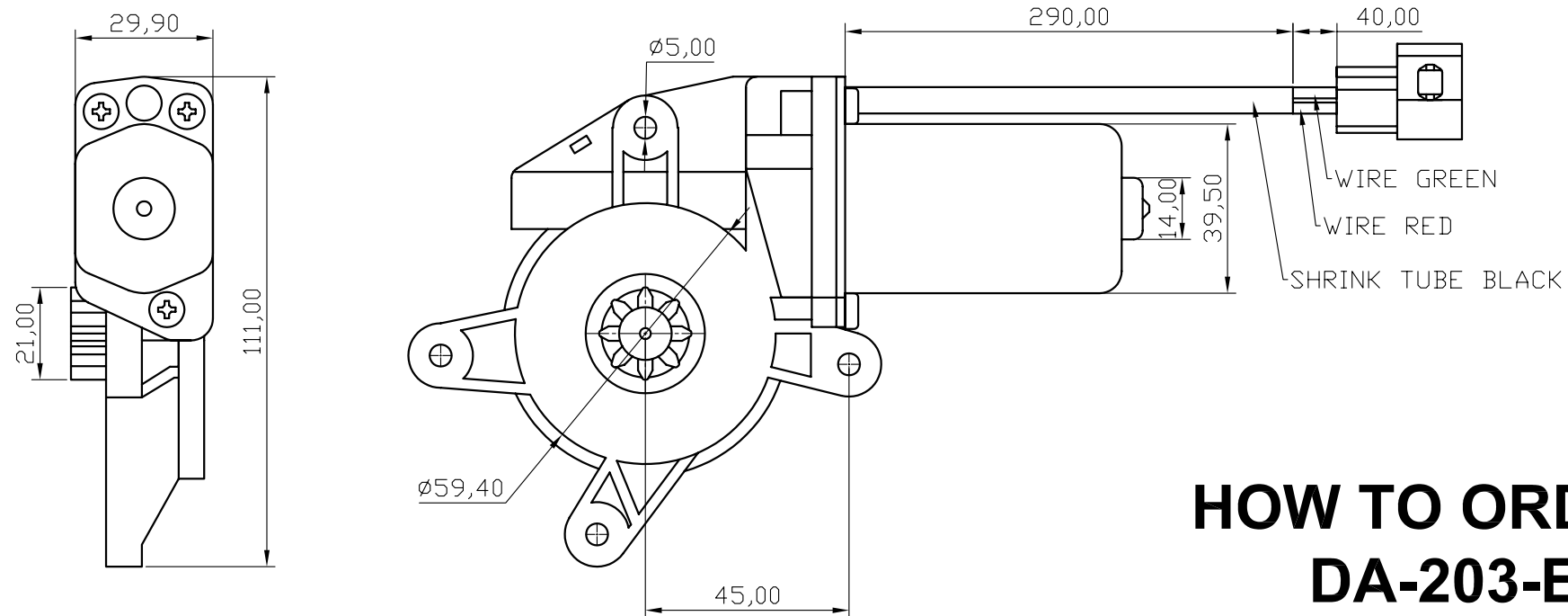
No load speed: More than 90rpm

Current with 3NM: Less than 8A


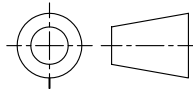
Speed with 3NM: More than 65rpm

Max torque: More than 8.5NM

Max current: Less than 22A



HOW TO ORDER: DA-203-E

|  MATRIX | | MATRIX Tecnologia Ind. e Com. Ltda. | |
|---|--------------|--|---------------------|
| UNIT mm | SCALE 1:1 | TITLE DA-203-E LEFT | DATE AUGUST 2007 |
| TOLERANCE | | | APP. BY |
|  | | MATL | CHK. BY |
| | | DWG. NO. | DR. BY DINO |