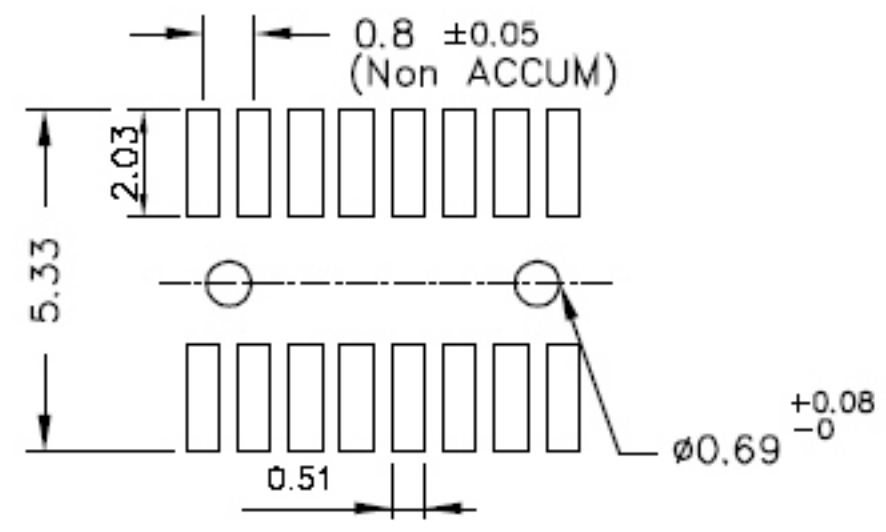
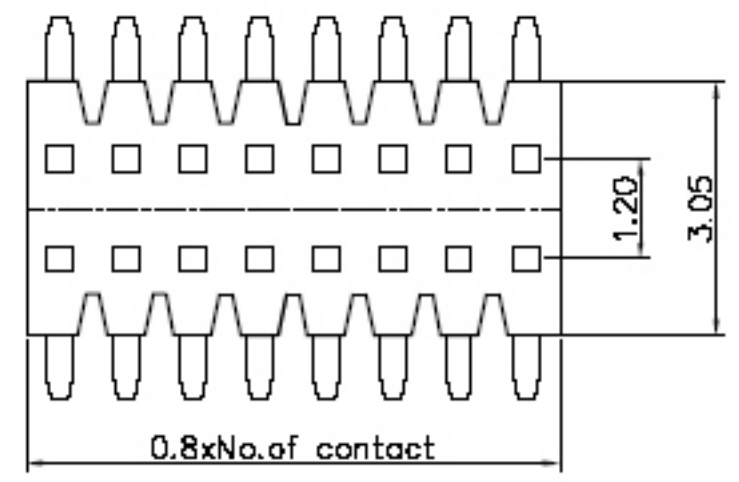
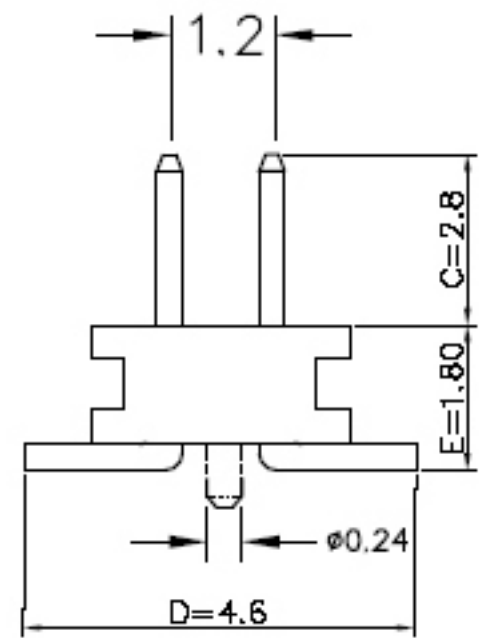
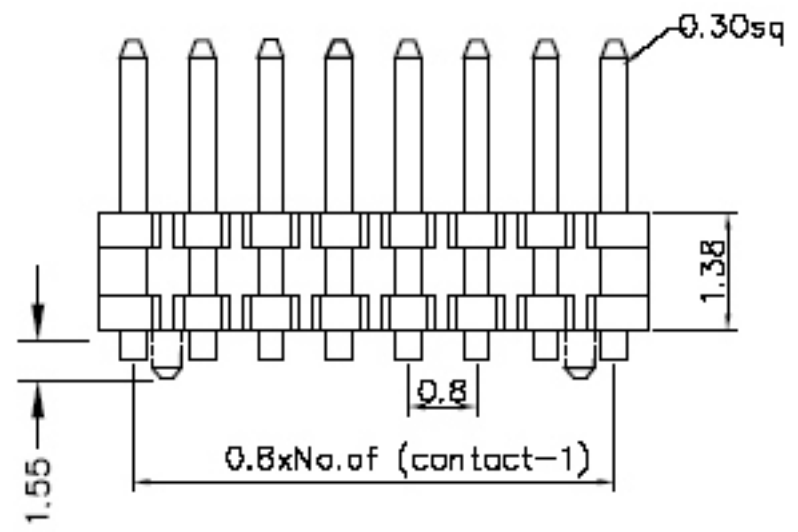


REV	ECN. NO.	APP	DATE
A	EDIÇÃO INICIAL		



SPECIFICATIONS

- Current Rating: 0.75Amps
- Insulator Resistance: 5000 Megohms min.
- Dielectric Withstanding: AC 500V
- Contact Material: Phosphor Bronze
- Insulator Material: NYLON-6T
- Operating Temperature: -40° -+105° C
- Max Procddsing Temp: 230° for 30~60 seconds
(260° for 10 seconds)

HOW TO ORDER:

PIN-[]-[D]-[R]-[]-S--0,8x1,2-SMD-P1,38-[]
1 2 3 4 5

- 1- Nr. of Ways
Double Row: 10 to 100
- 2- Row Version:
(D)-Double Row
- 3- Pin Style
(N)-90°
(R)-180°
- 4- Terminal Plating:
(E)-Sn
(F)-FLASH Au
(A)-0,38um Au
(B)-0,76um Au
(C)-0,38um Au/Sn
(D)-0,76um Au/Sn
- 5- (R) RoHS Compliant

		MATRIX Tecnologia Ind. e Com. Ltda.	
UNIT mm	SCALE	TITLE 0,8x1,2mm PIN HEADER SMD DUAL ROW	DATE JULY 2007
TOLERANCE: ±0.25			APP. BY
		MATL	CHK. BY
		DWG. NO.	DR. BY Diego