

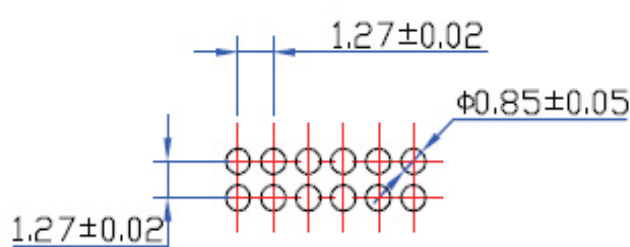
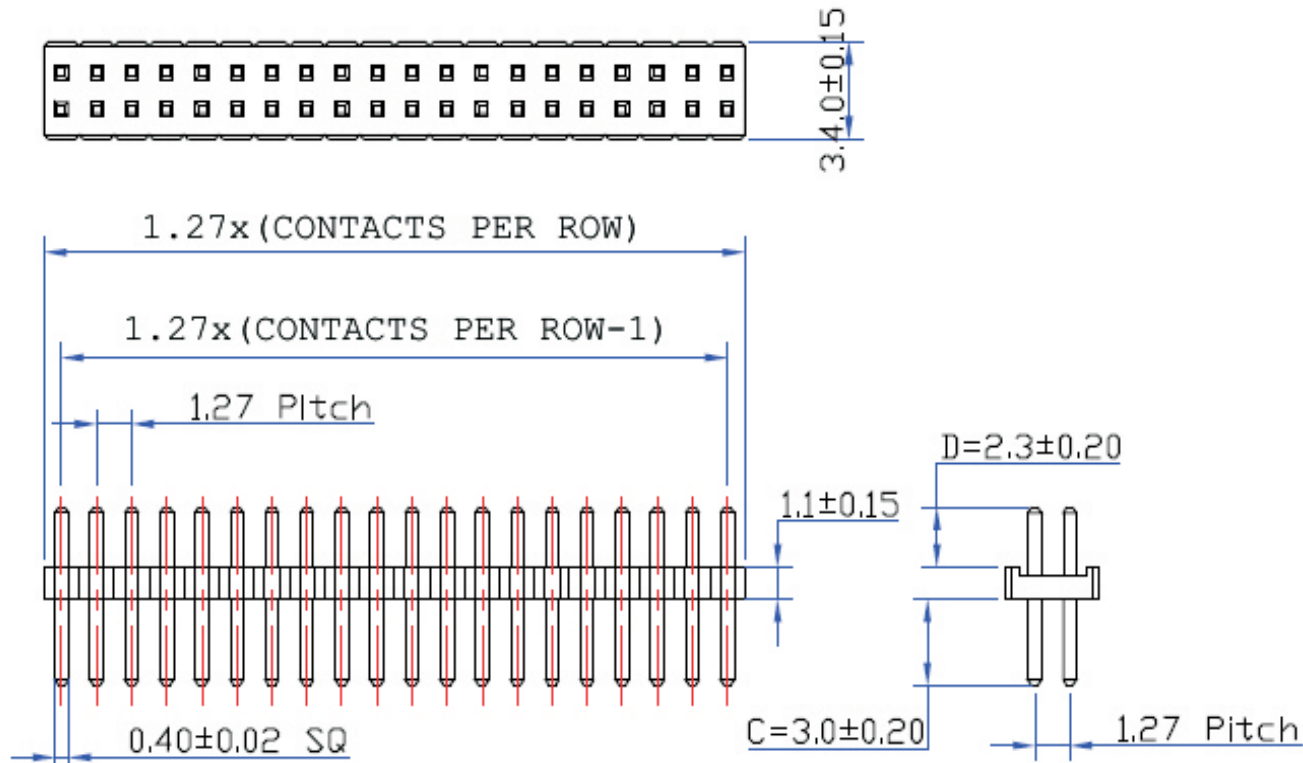
REV	ECN. NO.	APP	DATE
A	EDIÇÃO INICIAL		

### SPECIFICATIONS


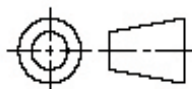
Current Rating: 1 Amps  
 Dielectric Withstanding: AC 500V  
 Operating Temperature: -40°C to +105°C  
 Max Processing Temp: 230° for 30~60 seconds  
 (260° for 10 seconds)

### HOW TO ORDER: PIN[ ][D][R][ ]S[E][B][ ][R] 1 2 3 4 5 6 7 8

- 1-Nr. of Ways:  
Double Row: 2 to 100
- 2-Row Version:  
(D)-Double Row
- 3-Pin Style:  
(S)-90°  
(R)-180°
- 4-Terminal Plating:  
(E)-Sn  
(D)-FLASH Au  
(F)-0,38um Au  
(G)-0,76um Au  
(C)-0,38um Au/Sn  
(H)-0,76um Au/Sn
- 5-Pitch:  
(E)-1,27mmx1,27mm
- 6-Profile:  
(B)-1,1mm
- 7-Options:  
(T)-Tube Packing
- 8-(R) RoHS Compliant



P.C.Board Layout

 <b>MATRIX Tecnologia Ind. e Com. Ltda.</b>		UNIT	SCALE	TITLE	DATE
		mm		1,27mm PIN HEADER HEIGHT 1,1mm 180° DOUBLE ROW	September 2007
TOLERANCE: ±0.25				APP. BY	
		MATL		CHK. BY	
		DWG. NO.		DR. BY Diego	