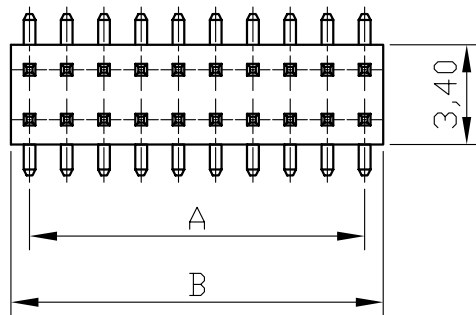
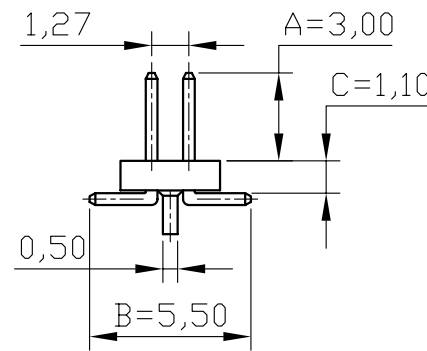
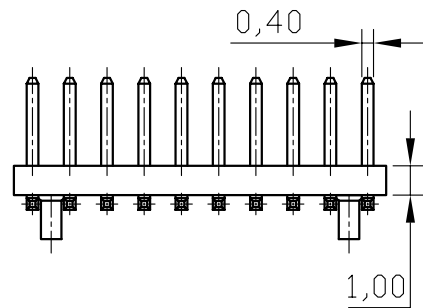
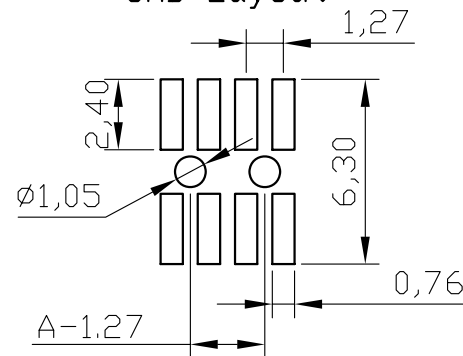


No of Contacts	A	B
10	5,08	6,35
12	6,35	7,62
14	7,62	8,89
16	8,89	10,16
18	10,16	11,43
20	11,43	12,70
22	12,70	13,97
24	13,97	15,24
26	15,24	16,51
28	16,51	17,78
30	17,78	19,05
32	19,05	20,32
34	20,32	21,59
36	21,59	22,86
38	22,86	24,13
40	24,13	25,40
42	25,40	26,67
44	26,67	27,94
46	27,94	29,21
48	29,21	30,48
50	30,48	31,75
52	31,75	33,02
54	33,02	34,29
56	34,29	35,56
58	35,56	36,83
60	36,83	38,10
62	38,10	39,37
64	39,37	40,64
66	40,64	41,91
68	41,91	43,18
70	43,18	44,45
72	44,45	45,72
74	45,72	46,99
76	46,99	48,26
78	48,26	49,53
80	49,53	50,80
82	50,80	52,07
84	52,07	53,34
86	53,34	54,61
88	54,61	55,88
90	55,88	57,15
92	57,15	58,42
94	58,42	59,69
96	59,69	60,96
98	60,96	62,23
100	62,23	63,50



Recommended P.C. Board SMD Layout



REV	ECN. NO.	APP	DATE
A	EDIÇÃO INICIAL		

SPECIFICATIONS

Current Rating: 1 Amp
 Insulator Resistance: 5000Megaohm min.
 Dielectric Withstanding: AC 500 V
 Operating Temperature: -40°~+105°C
 Max Processing Temp: 230° for 30 seconds
 Contact Material: Copper Alloy
 Insulator Material: High Temperature Termoplastic,UL 94V-0
 Finish: Gold plated
 Standard: Gold flash all over

HOW TO ORDER:
PIN[][D][R][][A][E]D[A][][R]
1 2 3 4 5 6 7 8

- 1- Nr. of Ways
Double Row: 2 to 80
- 2- Row Version:
(D)-Double Row
- 3- Pin Style
(R)-180°
- 4- Terminal Plating:
(E)-Sn
(D)-FLASH Au
(F)-0,38um Au
(G)-0,76um Au
(C)-0,38um Au/Sn
(H)-0,76um Au/Sn
- 5-Pitch:
(E)-1,27mm x 1,27mm
- 6-Profile:
(A)-1,00mm
- 7-Options:
(T)-Tube Packing
(R)-Reel Packing
(C)-Cap+Tube
(Q)-Cap+Reel
(Y)-With Locating Peg (Tube)
- 8-(R) RoHS Compliant

		MATRIX Tecnologia Ind. e Com. Ltda.	
TOLERANCE: ±0.25		TITLE 2.54mm PIN HEADER HEIGHT 1,00mm 180° DOUBLE ROW SMD TYPE	DATE JULY 2007
		MATL	CHK. BY
		DWG. NO.	DR. BY DIEGO