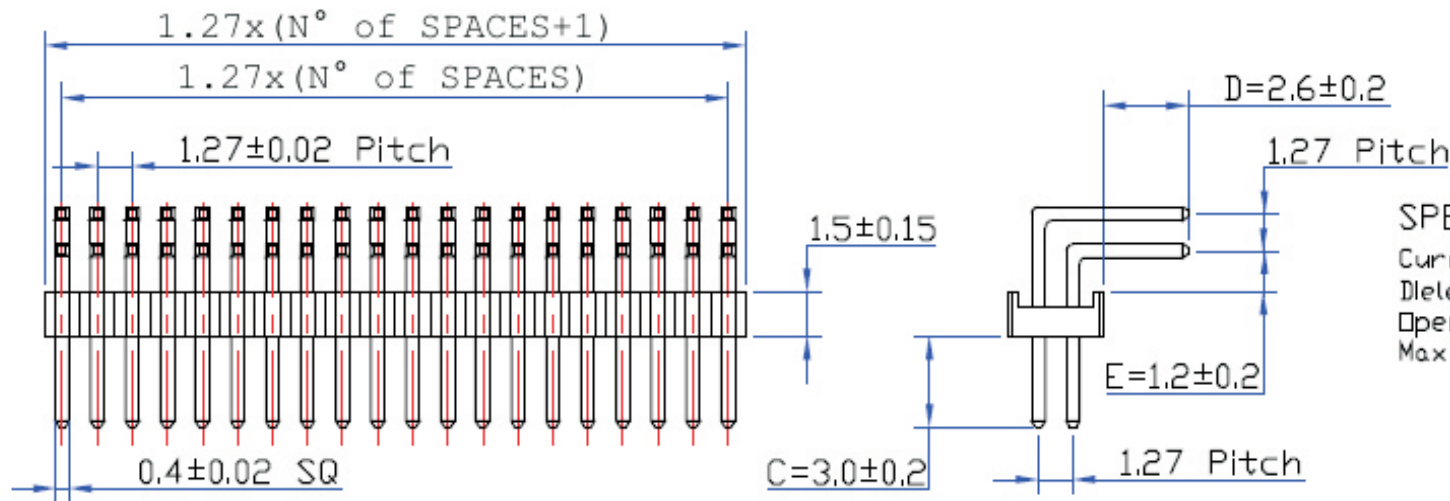
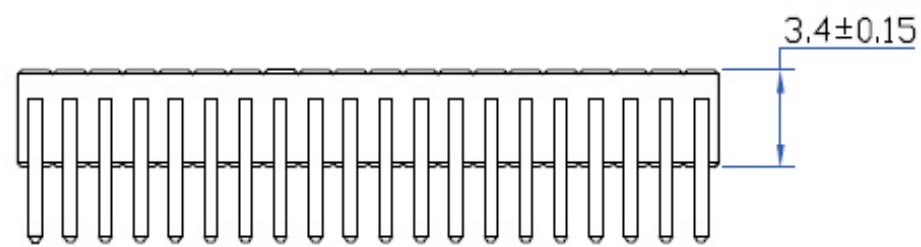


| REV | ECN. NO.       | APP | DATE |
|-----|----------------|-----|------|
| A   | EDIÇÃO INICIAL |     |      |
|     |                |     |      |
|     |                |     |      |

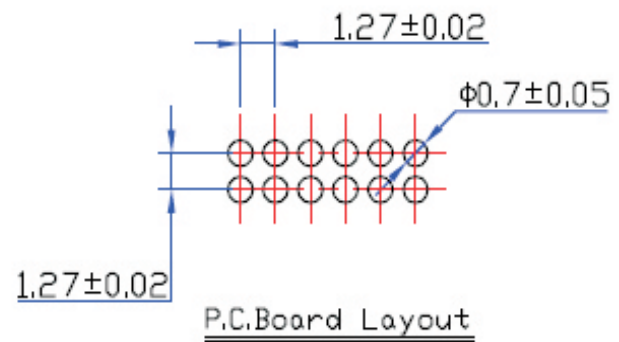


**SPECIFICATIONS**  
 Current Rating: 1 Amps  
 Dielectric Withstanding: AC 500V  
 Operating Temperature:  $-40^\circ\text{C}$  to  $+105^\circ\text{C}$   
 Max Processing Temp:  $230^\circ$  for 30~60 seconds  
 ( $260^\circ$  for 10 seconds)



**HOW TO ORDER:**  
**PIN[ ][D][N][ ]S[E][F][ ][R]**  
**1 2 3 4 5 6 7 8**

- 1-Nr. of Ways:  
Double Row: 2 to 100
- 2-Row Version:  
(D)-Double Row
- 3-Pin Style:  
(N)- $90^\circ$   
(R)- $180^\circ$
- 4-Terminal Plating:  
(E)-Sn  
(D)-FLASH Au  
(F)- $0.38\mu\text{m Au}$   
(G)- $0.76\mu\text{m Au}$   
(C)- $0.38\mu\text{m Au/Sn}$   
(H)- $0.76\mu\text{m Au/Sn}$
- 5-Pitch:  
(E)- $1.27\text{mm} \times 1.27\text{mm}$
- 6-Profile:  
(F)- $1.5\text{mm}$
- 7-Options:  
(T)-Tube Packing
- 8-(R) RoHS Compliant



| UNIT                  |  | SCALE    | TITLE   | DATE           |
|-----------------------|--|----------|---|----------------|
| mm                    |  |          | 1,27mm PIN HEADER HEIGHT<br>1.5mm $90^\circ$ DOUBLE ROW | September 2007 |
| TOLERANCE: $\pm 0.25$ |  |          |   | APP. BY        |
|                       |  | MATL     |   | CHK. BY        |
|                       |  | DWG. NO. |   | DR. BY Diego   |

**MATRIX** **MATRIX Tecnologia Ind. e Com. Ltda.**